

PHI SERIES AIR LUBRICATOR

How to order

PHI – FL – 1/4 – B

Size : 1/4, 3/8, 1/2

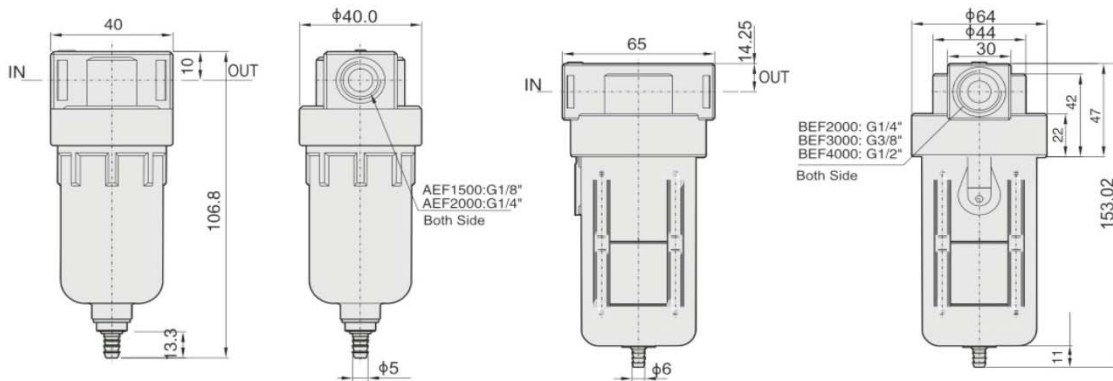
Thread Type
 N : NPT
 B : BSPP (G)



Specifications

Unit	Lubricator
Port Size	1/8, 1/4, 3/8 & 1/2
Medium	Air
Operating Pressure	Min : 0.1 Bar, Max 10 Bar
Proof Pressure	15 Bar max
Ambient Temperature	-5°C to +60°C
Filter element	Std : 5µm Option : 40µm
Lubricating Oil Capacity	65 c.c
Recommended Lubricating Oil	Turbine oil ISO-VG32
Bowl Material	Polycarbonate

The above information is based on 5.1 Bar supply pressure and 0.3 Bar as step down

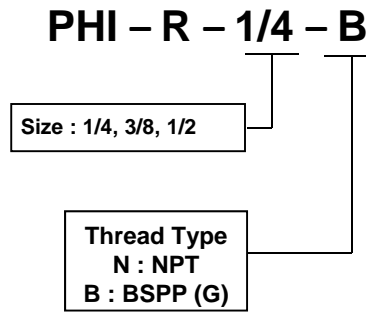


Size : 1/8" & 1/4"

Size : 3/8" & 1/2"

PHI SERIES AIR REGULATOR

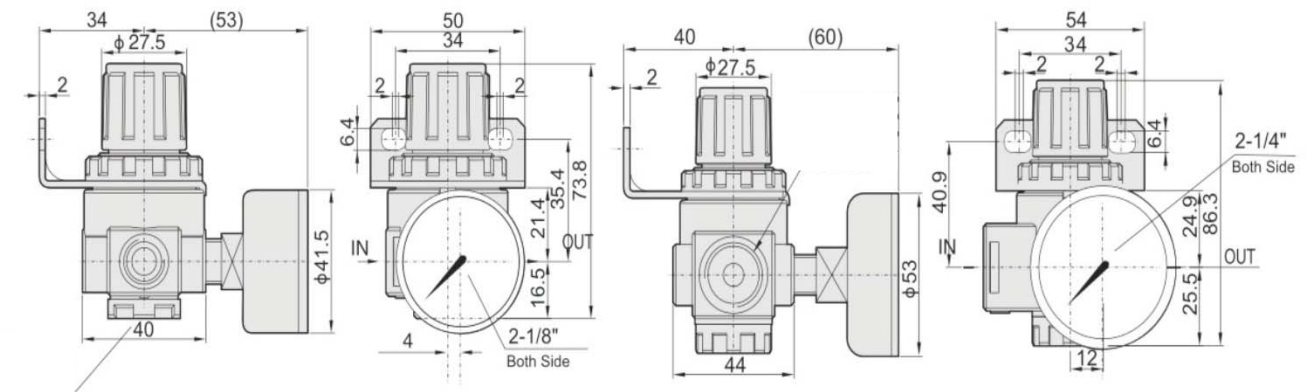
How to order



Specifications

Unit	Regulator
Port Size	1/8, 1/4, 3/8 & 1/2
Medium	Air
Operating Pressure	Min : 0.1 Bar, Max 10 Bar
Proof Pressure	15 Bar max
Ambient Temperature	-5°C to +60°C
Bowl Material / Guard	Polycarbonate / available
Rated Flow	1/8 : 1200, 1/4 : 2200, 3/8 & 1/2 : 5300

The above information is based on 5.1 Bar supply pressure and 0.3 Bar as step down



Size : 1/8" & 1/4"

Size : 3/8" & 1/2"

PHI SERIES AIR FILTER REGULATOR

How to order

PHI – FG – 1/4 – B

Size : 1/4, 3/8, 1/2

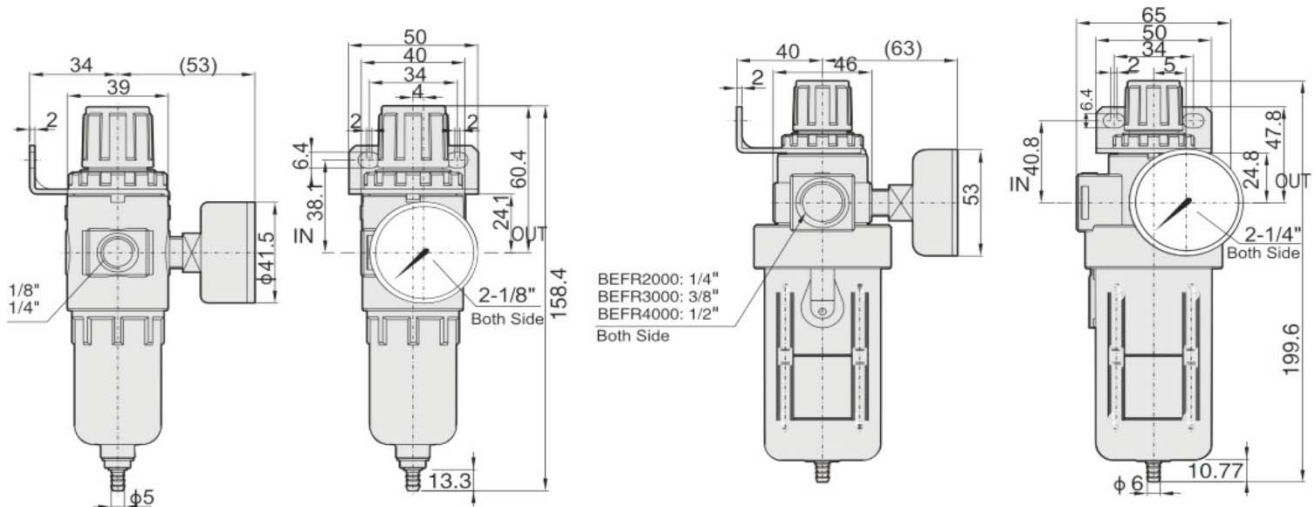
Thread Type
N : NPT
B : BSPP (G)



Specifications

Unit	FILTER Regulator with Guage
Port Size	1/8, 1/4, 3/8 & 1/2
Medium	Air
Operating Pressure	Min : 0.1 Bar, Max 10 Bar
Proof Pressure	15 Bar max
Ambient Temperature	-5°C to +60°C
Bowl Material / Guard	Polycarbonate / available
Rated Flow	1/8 : 1050, 1/4 : 1200, 3/8 & 1/2 : 5100

The above information is based on 5.1 Bar supply pressure and 0.3 Bar as step down



Size : 1/8" & 1/4"

Size : 3/8" & 1/2"