



# Parker Global Air Preparation System

**Global.**  
**Economical.**  
**Modular.**



*Performance you need,  
**wherever** you need it.*

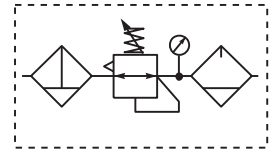
The comprehensive Global Air Preparation System is available in three body sizes with either BSPP or NPT to accommodate thread type requirements.

Full featured filters, regulators, filter/regulators, and lubricators are available with a wide range of standard options to meet air preparation needs.

Individual units can easily be assembled into various combinations, utilizing patented modular lightweight body connectors.

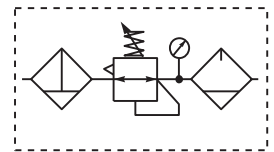
[www.parker.com/globalfrl](http://www.parker.com/globalfrl)

### Popular Combinations



**Filter + Regulator + Lubricator Combinations + Poly bowl**  
**5 micron element, 8 bar (116 psig) Regulator + Gauge and Wall Mounting Brackets**  
**Inlet pressure 10 bar (145 psig), Secondary pressure 6.3 bar (91.3 psig),**  
**1 bar (14.5 psig) pressure drop.**

Port size	Flow dm <sup>3</sup> /s (scfm)	Manual Drain	Weight	Pulse Drain	Weight
1/4"	13 27	<b>P31CB22GEMN6LNW</b>	0.46 kg (1.01 lbs)	<b>P31CB22GEBN6LNW</b>	0.46 kg (1.01 lbs)



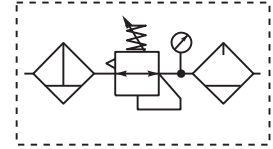
**Filter/Regulator + Lubricator Combinations + Poly bowl**  
**5 micron element, 8 bar (116 psig) Regulator + Gauge and Wall Mounting Brackets**  
**Inlet pressure 10 bar (145 psig), Secondary pressure 6.3 bar (91.3 psig),**  
**1 bar (14.5 psig) pressure drop.**

Port size	Flow dm <sup>3</sup> /s (scfm)	Manual Drain	Weight	Pulse Drain	Weight
1/4"	14 28	<b>P31CA22GEMN6LNW</b>	0.35 kg (0.77 lbs)	<b>P31CA22GEBN6LNW</b>	0.35 kg (0.77 lbs)

Filter / Regulator coding (use with codes: A M T)		Filter coding (use with combo codes: B C D F G) For multiple filters, repeat as needed		Regulator coding (use with combo codes: B D E)		Lubricator coding (use with combo codes: A B C E)		Assembly Configuration																																																											
<b>P 3 1</b>		<table border="1"> <tr><th>Element</th><th></th></tr> <tr><td>5µ Element</td><td><b>E</b></td></tr> <tr><td>0.01µ Element</td><td><b>C</b></td></tr> <tr><td>1µ Element</td><td><b>9</b></td></tr> <tr><td>Adsorber</td><td><b>A</b></td></tr> </table>		Element		5µ Element	<b>E</b>	0.01µ Element	<b>C</b>	1µ Element	<b>9</b>	Adsorber	<b>A</b>	<table border="1"> <tr><th>Relief / Adjustment</th><th></th></tr> <tr><td>Non-rising knob</td><td><b>N</b></td></tr> </table>		Relief / Adjustment		Non-rising knob	<b>N</b>	<table border="1"> <tr><th>Lub type</th><th></th></tr> <tr><td>Oil mist standard sight dome</td><td><b>L</b></td></tr> </table>		Lub type		Oil mist standard sight dome	<b>L</b>	<table border="1"> <tr><th>Mounting</th><th></th></tr> <tr><td>No bracket</td><td><b>A</b></td></tr> <tr><td>Port blocks</td><td><b>C*</b></td></tr> <tr><td>Port blocks &amp; wall brkt</td><td><b>D*</b></td></tr> <tr><td>Wall bracket</td><td><b>W</b></td></tr> </table>		Mounting		No bracket	<b>A</b>	Port blocks	<b>C*</b>	Port blocks & wall brkt	<b>D*</b>	Wall bracket	<b>W</b>																														
Element																																																																			
5µ Element	<b>E</b>																																																																		
0.01µ Element	<b>C</b>																																																																		
1µ Element	<b>9</b>																																																																		
Adsorber	<b>A</b>																																																																		
Relief / Adjustment																																																																			
Non-rising knob	<b>N</b>																																																																		
Lub type																																																																			
Oil mist standard sight dome	<b>L</b>																																																																		
Mounting																																																																			
No bracket	<b>A</b>																																																																		
Port blocks	<b>C*</b>																																																																		
Port blocks & wall brkt	<b>D*</b>																																																																		
Wall bracket	<b>W</b>																																																																		
<table border="1"> <tr><th>Combination</th><th></th></tr> <tr><td>B/V + Combination</td><td><b>Q</b></td></tr> <tr><td>Combination + B/V</td><td><b>X</b></td></tr> <tr><td>Combination</td><td><b>C</b></td></tr> <tr><td>Shut off + Combination</td><td><b>Y</b></td></tr> <tr><td>Combination + Shut off</td><td><b>Z</b></td></tr> </table>		Combination		B/V + Combination	<b>Q</b>	Combination + B/V	<b>X</b>	Combination	<b>C</b>	Shut off + Combination	<b>Y</b>	Combination + Shut off	<b>Z</b>	<table border="1"> <tr><th>Thread type</th><th></th></tr> <tr><td>BSPP</td><td><b>1</b></td></tr> <tr><td>BSPT</td><td><b>2</b></td></tr> <tr><td>NPT</td><td><b>9</b></td></tr> </table>		Thread type		BSPP	<b>1</b>	BSPT	<b>2</b>	NPT	<b>9</b>	<table border="1"> <tr><th>Drain type</th><th></th></tr> <tr><td>Manual drain</td><td><b>M</b></td></tr> <tr><td>Pulse drain</td><td><b>B</b></td></tr> </table>		Drain type		Manual drain	<b>M</b>	Pulse drain	<b>B</b>	<table border="1"> <tr><th>Adjustment range</th><th></th></tr> <tr><td><b>With square gauge</b></td><td></td></tr> <tr><td>2 bar (0.2 MPa) *</td><td><b>V</b></td></tr> <tr><td>4 bar (0.4 MPa)*</td><td><b>1</b></td></tr> <tr><td>8 bar (0.8 MPa)**</td><td><b>2</b></td></tr> <tr><td><b>With round gauge</b></td><td></td></tr> <tr><td>2 bar (0.2 MPa)</td><td><b>V</b></td></tr> <tr><td>4 bar (0.4 MPa)</td><td><b>1</b></td></tr> <tr><td>8 bar (0.8 MPa)</td><td><b>2</b></td></tr> <tr><td><b>Without gauge</b></td><td></td></tr> <tr><td>2 bar (0.2 MPa)</td><td><b>V</b></td></tr> <tr><td>4 bar (0.4 MPa)</td><td><b>1</b></td></tr> <tr><td>8 bar (0.8 MPa)</td><td><b>2</b></td></tr> </table>		Adjustment range		<b>With square gauge</b>		2 bar (0.2 MPa) *	<b>V</b>	4 bar (0.4 MPa)*	<b>1</b>	8 bar (0.8 MPa)**	<b>2</b>	<b>With round gauge</b>		2 bar (0.2 MPa)	<b>V</b>	4 bar (0.4 MPa)	<b>1</b>	8 bar (0.8 MPa)	<b>2</b>	<b>Without gauge</b>		2 bar (0.2 MPa)	<b>V</b>	4 bar (0.4 MPa)	<b>1</b>	8 bar (0.8 MPa)	<b>2</b>	<table border="1"> <tr><th>Drain type</th><th></th></tr> <tr><td>No drain; closed end</td><td><b>N</b></td></tr> </table>		Drain type		No drain; closed end	<b>N</b>	<p>* For 3/8" Port Blocks please order separately. See Kits section.</p>	
Combination																																																																			
B/V + Combination	<b>Q</b>																																																																		
Combination + B/V	<b>X</b>																																																																		
Combination	<b>C</b>																																																																		
Shut off + Combination	<b>Y</b>																																																																		
Combination + Shut off	<b>Z</b>																																																																		
Thread type																																																																			
BSPP	<b>1</b>																																																																		
BSPT	<b>2</b>																																																																		
NPT	<b>9</b>																																																																		
Drain type																																																																			
Manual drain	<b>M</b>																																																																		
Pulse drain	<b>B</b>																																																																		
Adjustment range																																																																			
<b>With square gauge</b>																																																																			
2 bar (0.2 MPa) *	<b>V</b>																																																																		
4 bar (0.4 MPa)*	<b>1</b>																																																																		
8 bar (0.8 MPa)**	<b>2</b>																																																																		
<b>With round gauge</b>																																																																			
2 bar (0.2 MPa)	<b>V</b>																																																																		
4 bar (0.4 MPa)	<b>1</b>																																																																		
8 bar (0.8 MPa)	<b>2</b>																																																																		
<b>Without gauge</b>																																																																			
2 bar (0.2 MPa)	<b>V</b>																																																																		
4 bar (0.4 MPa)	<b>1</b>																																																																		
8 bar (0.8 MPa)	<b>2</b>																																																																		
Drain type																																																																			
No drain; closed end	<b>N</b>																																																																		
<table border="1"> <tr><th>Combination type *</th><th></th><th></th></tr> <tr><td>F/R+L</td><td><b>A</b></td><td>F/R+Fc</td><td><b>M</b></td></tr> <tr><td>F+R+L</td><td><b>B</b></td><td>F+Fc1+Fc</td><td><b>Q</b></td></tr> <tr><td>F+Fc</td><td><b>F</b></td><td>F/R+Fc+Fa</td><td><b>T</b></td></tr> <tr><td>F+Fc+Fa</td><td><b>G</b></td><td></td><td></td></tr> </table>		Combination type *			F/R+L	<b>A</b>	F/R+Fc	<b>M</b>	F+R+L	<b>B</b>	F+Fc1+Fc	<b>Q</b>	F+Fc	<b>F</b>	F/R+Fc+Fa	<b>T</b>	F+Fc+Fa	<b>G</b>			<table border="1"> <tr><th>Port size</th><th></th></tr> <tr><td>1/8</td><td><b>1</b></td></tr> <tr><td>1/4</td><td><b>2</b></td></tr> </table>		Port size		1/8	<b>1</b>	1/4	<b>2</b>	<table border="1"> <tr><th>Bowl type</th><th></th></tr> <tr><td>Poly bowl with bowl guard</td><td><b>G</b></td></tr> <tr><td>Metal bowl without sight gauge</td><td><b>M</b></td></tr> </table>		Bowl type		Poly bowl with bowl guard	<b>G</b>	Metal bowl without sight gauge	<b>M</b>	<p>* Combination type                      F = 5µ                      Fc1 = 1µ                      Fc = .01µ                      Fa = Adsorber</p>		<p><b>Note:</b> All bowl types are the same for each component</p> <p><b>Example:</b> If a "G" is specified for a F+L, both units would get a poly bowl with bowl guard.</p>																												
Combination type *																																																																			
F/R+L	<b>A</b>	F/R+Fc	<b>M</b>																																																																
F+R+L	<b>B</b>	F+Fc1+Fc	<b>Q</b>																																																																
F+Fc	<b>F</b>	F/R+Fc+Fa	<b>T</b>																																																																
F+Fc+Fa	<b>G</b>																																																																		
Port size																																																																			
1/8	<b>1</b>																																																																		
1/4	<b>2</b>																																																																		
Bowl type																																																																			
Poly bowl with bowl guard	<b>G</b>																																																																		
Metal bowl without sight gauge	<b>M</b>																																																																		

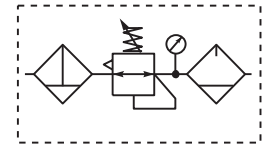


## Popular Combinations



**Filter + Regulator + Lubricator Combinations + Poly bowl**  
**5 micron element, 8 bar (116 psig) Regulator + Gauge and Wall Mounting Brackets**  
**Inlet pressure 10 bar (145 psig), Secondary pressure 6.3 bar (91.3 psig),**  
**1 bar (14.5 psig) pressure drop.**

Port size	Flow dm <sup>3</sup> /s (scfm)	Manual Drain	Weight	Auto Drain	Weight
1/4"	20 42	<b>P32CB22GEMNGLNW</b>	1.29 kg (2.84 lbs)	<b>P32CB22GEANGLNW</b>	1.29 kg (2.84 lbs)
3/8"	32 68	<b>P32CB23GEMNGLNW</b>	1.29 kg (2.84 lbs)	<b>P32CB23GEANGLNW</b>	1.29 kg (2.84 lbs)
1/2"	40 85	<b>P32CB24GEMNGLNW</b>	1.29 kg (2.84 lbs)	<b>P32CB24GEANGLNW</b>	1.29 kg (2.84 lbs)



**Filter/Regulator + Lubricator Combinations + Poly bowl**  
**5 micron element, 8 bar (116 psig) Regulator + Gauge and Wall Mounting Brackets**  
**Inlet pressure 10 bar (145 psig), Secondary pressure 6.3 bar (91.3 psig),**  
**1 bar (14.5 psig) pressure drop.**

Port size	Flow dm <sup>3</sup> /s (scfm)	Manual Drain	Weight	Auto Drain	Weight
1/4"	22 45	<b>P32CA22GEMNGLNW</b>	1.03 kg (2.27 lbs)	<b>P32CA22GEANGLNW</b>	1.03 kg (2.27 lbs)
3/8"	33 70	<b>P32CA23GEMNGLNW</b>	1.03 kg (2.27 lbs)	<b>P32CA23GEANGLNW</b>	1.03 kg (2.27 lbs)
1/2"	43 90	<b>P32CA24GEMNGLNW</b>	1.03 kg (2.27 lbs)	<b>P32CA24GEANGLNW</b>	1.03 kg (2.27 lbs)

**Filter / Regulator coding**  
(use with codes: A M T)

**Filter coding**  
(use with combo codes:  
B C D F G )  
For multiple filters, repeat  
as needed

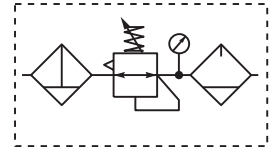
**Regulator coding**  
(use with combo codes:  
B D E W)

**Lubricator coding**  
(use with combo  
codes: A B C E )

**Assembly  
Configuration**

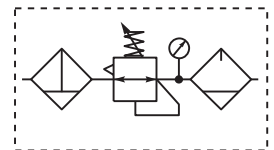
<p><b>P 3 2</b></p> <table border="1"> <tr> <th colspan="2">Combination</th> </tr> <tr> <td>B/V + Combination</td> <td><b>Q</b></td> </tr> <tr> <td>Combination + B/V</td> <td><b>X</b></td> </tr> <tr> <td>Combination</td> <td><b>C</b></td> </tr> <tr> <td>Shut off + Combination</td> <td><b>Y</b></td> </tr> <tr> <td>Combination + Shut off</td> <td><b>Z</b></td> </tr> </table> <table border="1"> <tr> <th colspan="2">Thread type</th> </tr> <tr> <td>BSPP</td> <td><b>1</b></td> </tr> <tr> <td>BSPT</td> <td><b>2</b></td> </tr> <tr> <td>NPT</td> <td><b>9</b></td> </tr> </table> <table border="1"> <tr> <th colspan="2">Combination type</th> </tr> <tr> <td>F/R+L</td> <td><b>A</b></td> </tr> <tr> <td>F+R+L</td> <td><b>B</b></td> </tr> <tr> <td>F+Fc</td> <td><b>F</b></td> </tr> <tr> <td>F+Fc+Fa</td> <td><b>G</b></td> </tr> </table> <p>* Combination type          F = 5µ          Fc1 = 1µ          Fc = .01µ          Fa = Adsorber</p> <table border="1"> <tr> <th colspan="2">Bowl type</th> </tr> <tr> <td>Poly bowl with bowl guard</td> <td><b>G</b></td> </tr> <tr> <td>Metal bowl without sight gauge</td> <td><b>M</b></td> </tr> <tr> <td>Metal bowl with sight gauge</td> <td><b>S</b></td> </tr> </table> <p><b>Note:</b> All bowl types are the same for each component  <b>Example:</b> If a "G" is specified for a F+L, both units would get a poly bowl with bowl guard.</p>	Combination		B/V + Combination	<b>Q</b>	Combination + B/V	<b>X</b>	Combination	<b>C</b>	Shut off + Combination	<b>Y</b>	Combination + Shut off	<b>Z</b>	Thread type		BSPP	<b>1</b>	BSPT	<b>2</b>	NPT	<b>9</b>	Combination type		F/R+L	<b>A</b>	F+R+L	<b>B</b>	F+Fc	<b>F</b>	F+Fc+Fa	<b>G</b>	Bowl type		Poly bowl with bowl guard	<b>G</b>	Metal bowl without sight gauge	<b>M</b>	Metal bowl with sight gauge	<b>S</b>	<table border="1"> <tr> <th colspan="2">Element</th> </tr> <tr> <td>5µ Element</td> <td><b>E</b></td> </tr> <tr> <td>0.01µ Element</td> <td><b>C</b></td> </tr> <tr> <td>0.01µ Element with dpi</td> <td><b>D</b></td> </tr> <tr> <td>1µ Element</td> <td><b>9</b></td> </tr> <tr> <td>1µ Element with dpi</td> <td><b>Q</b></td> </tr> <tr> <td>Adsorber</td> <td><b>A</b></td> </tr> </table> <table border="1"> <tr> <th colspan="2">Drain type</th> </tr> <tr> <td>Auto drain</td> <td><b>A</b></td> </tr> <tr> <td>Manual drain</td> <td><b>M</b></td> </tr> </table>	Element		5µ Element	<b>E</b>	0.01µ Element	<b>C</b>	0.01µ Element with dpi	<b>D</b>	1µ Element	<b>9</b>	1µ Element with dpi	<b>Q</b>	Adsorber	<b>A</b>	Drain type		Auto drain	<b>A</b>	Manual drain	<b>M</b>	<table border="1"> <tr> <th colspan="2">Relief / Adjustment</th> </tr> <tr> <td>Non-rising knob relieving</td> <td><b>N</b></td> </tr> </table> <table border="1"> <tr> <th colspan="2">Adjustment range</th> </tr> <tr> <td><b>With round gauge</b></td> <td></td> </tr> <tr> <td>0-2 bar; 0-30 psig; 0.2 MPa</td> <td><b>Z</b></td> </tr> <tr> <td>4 bar; 60 psig; 0.4 MPa</td> <td><b>M</b></td> </tr> <tr> <td>8 bar; 125 psig; 0.8 MPa</td> <td><b>G</b></td> </tr> <tr> <td>17 bar; 250 psig; 1.7 MPa</td> <td><b>J</b></td> </tr> <tr> <td><b>Without gauge</b></td> <td></td> </tr> <tr> <td>2 bar; 30 psig; 0.2 MPa</td> <td><b>Y</b></td> </tr> <tr> <td>4 bar; 60 psig; 0.4 MPa</td> <td><b>L</b></td> </tr> <tr> <td>8 bar; 125 psig; 0.8 MPa</td> <td><b>N</b></td> </tr> <tr> <td>17 bar; 250 psig; 1.7 MPa</td> <td><b>H</b></td> </tr> </table>	Relief / Adjustment		Non-rising knob relieving	<b>N</b>	Adjustment range		<b>With round gauge</b>		0-2 bar; 0-30 psig; 0.2 MPa	<b>Z</b>	4 bar; 60 psig; 0.4 MPa	<b>M</b>	8 bar; 125 psig; 0.8 MPa	<b>G</b>	17 bar; 250 psig; 1.7 MPa	<b>J</b>	<b>Without gauge</b>		2 bar; 30 psig; 0.2 MPa	<b>Y</b>	4 bar; 60 psig; 0.4 MPa	<b>L</b>	8 bar; 125 psig; 0.8 MPa	<b>N</b>	17 bar; 250 psig; 1.7 MPa	<b>H</b>	<table border="1"> <tr> <th colspan="2">Lub type</th> </tr> <tr> <td>Oil mist standard sight dome</td> <td><b>L</b></td> </tr> </table> <table border="1"> <tr> <th colspan="2">Drain type</th> </tr> <tr> <td>No drain; closed end</td> <td><b>N</b></td> </tr> </table>	Lub type		Oil mist standard sight dome	<b>L</b>	Drain type		No drain; closed end	<b>N</b>	<table border="1"> <tr> <th colspan="2">Mounting</th> </tr> <tr> <td>No bracket</td> <td><b>A</b></td> </tr> <tr> <td>Port blocks</td> <td><b>C</b></td> </tr> <tr> <td>Port blocks &amp; wall brkt</td> <td><b>D</b></td> </tr> <tr> <td>Wall bracket</td> <td><b>W</b></td> </tr> </table>	Mounting		No bracket	<b>A</b>	Port blocks	<b>C</b>	Port blocks & wall brkt	<b>D</b>	Wall bracket	<b>W</b>
Combination																																																																																																										
B/V + Combination	<b>Q</b>																																																																																																									
Combination + B/V	<b>X</b>																																																																																																									
Combination	<b>C</b>																																																																																																									
Shut off + Combination	<b>Y</b>																																																																																																									
Combination + Shut off	<b>Z</b>																																																																																																									
Thread type																																																																																																										
BSPP	<b>1</b>																																																																																																									
BSPT	<b>2</b>																																																																																																									
NPT	<b>9</b>																																																																																																									
Combination type																																																																																																										
F/R+L	<b>A</b>																																																																																																									
F+R+L	<b>B</b>																																																																																																									
F+Fc	<b>F</b>																																																																																																									
F+Fc+Fa	<b>G</b>																																																																																																									
Bowl type																																																																																																										
Poly bowl with bowl guard	<b>G</b>																																																																																																									
Metal bowl without sight gauge	<b>M</b>																																																																																																									
Metal bowl with sight gauge	<b>S</b>																																																																																																									
Element																																																																																																										
5µ Element	<b>E</b>																																																																																																									
0.01µ Element	<b>C</b>																																																																																																									
0.01µ Element with dpi	<b>D</b>																																																																																																									
1µ Element	<b>9</b>																																																																																																									
1µ Element with dpi	<b>Q</b>																																																																																																									
Adsorber	<b>A</b>																																																																																																									
Drain type																																																																																																										
Auto drain	<b>A</b>																																																																																																									
Manual drain	<b>M</b>																																																																																																									
Relief / Adjustment																																																																																																										
Non-rising knob relieving	<b>N</b>																																																																																																									
Adjustment range																																																																																																										
<b>With round gauge</b>																																																																																																										
0-2 bar; 0-30 psig; 0.2 MPa	<b>Z</b>																																																																																																									
4 bar; 60 psig; 0.4 MPa	<b>M</b>																																																																																																									
8 bar; 125 psig; 0.8 MPa	<b>G</b>																																																																																																									
17 bar; 250 psig; 1.7 MPa	<b>J</b>																																																																																																									
<b>Without gauge</b>																																																																																																										
2 bar; 30 psig; 0.2 MPa	<b>Y</b>																																																																																																									
4 bar; 60 psig; 0.4 MPa	<b>L</b>																																																																																																									
8 bar; 125 psig; 0.8 MPa	<b>N</b>																																																																																																									
17 bar; 250 psig; 1.7 MPa	<b>H</b>																																																																																																									
Lub type																																																																																																										
Oil mist standard sight dome	<b>L</b>																																																																																																									
Drain type																																																																																																										
No drain; closed end	<b>N</b>																																																																																																									
Mounting																																																																																																										
No bracket	<b>A</b>																																																																																																									
Port blocks	<b>C</b>																																																																																																									
Port blocks & wall brkt	<b>D</b>																																																																																																									
Wall bracket	<b>W</b>																																																																																																									

### Popular Combinations



**Filter + Regulator + Lubricator Combinations + Poly bowl**  
**5 micron element, 8 bar (116 psig) Regulator + Gauge and Wall Mounting Brackets**  
**Inlet pressure 10 bar (145 psig) , Secondary pressure 6.3 bar (91.3 psig),**  
**1 bar (14.5 psig) pressure drop.**

Port size	Flow dm <sup>3</sup> /s (scfm)	Manual Drain	Weight	Auto Drain	Weight
1/2"	43 90	<b>P33CB24GEMNGLNW</b>	1.84 kg (4.06 lbs)	<b>P33CB24GEANGLNW</b>	1.84 kg (4.06 lbs)
3/4"	52 110	<b>P33CB26GEMNGLNW</b>	1.84 kg (4.06 lbs)	<b>P33CB26GEANGLNW</b>	1.84 kg (4.06 lbs)



**Filter/Regulator + Lubricator Combinations + Poly bowl**  
**5 micron element, 8 bar (116 psig) Regulator + Gauge and Wall Mounting Brackets**  
**Inlet pressure 10 bar (145 psig), Secondary pressure 6.3 bar (91.3 psig),**  
**1 bar (14.5 psig) pressure drop.**

Port size	Flow dm <sup>3</sup> /s (scfm)	Manual Drain	Weight	Auto Drain	Weight
1/2"	52 110	<b>P33CA24GEMNGLNW</b>	1.51 kg (3.33 lbs)	<b>P33CA24GEANGLNW</b>	1.51 kg (3.33 lbs)
3/4"	71 150	<b>P33CA26GEMNGLNW</b>	1.51 kg (3.33 lbs)	<b>P33CA26GEANGLNW</b>	1.51 kg (3.33 lbs)

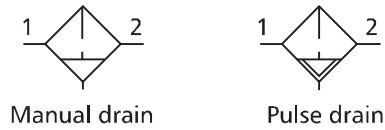
**Filter / Regulator coding**  
 (use with codes: A M T)

Filter coding (use with combo codes: B C D F G) For multiple filters, repeat as needed	Regulator coding (use with combo codes: B D E W)	Lubricator coding (use with combo codes: A B C E)	Assembly Configuration																																																																																																																					
<div style="border: 1px solid black; padding: 5px; margin-bottom: 10px;"> <b>P 3 3</b> </div> <table border="1" style="width: 100%; border-collapse: collapse;"> <tr> <th colspan="2">Combination</th> <th colspan="2">Thread type</th> </tr> <tr> <td>B/V + Combination</td> <td><b>Q</b></td> <td>BSPP</td> <td><b>1</b></td> </tr> <tr> <td>Combination + B/V</td> <td><b>X</b></td> <td>BSPT</td> <td><b>2</b></td> </tr> <tr> <td>Combination</td> <td><b>C</b></td> <td>NPT</td> <td><b>9</b></td> </tr> <tr> <td>Shut off + Combination</td> <td><b>Y</b></td> <td></td> <td></td> </tr> <tr> <td>Combination + Shut off</td> <td><b>Z</b></td> <td></td> <td></td> </tr> </table> <table border="1" style="width: 100%; border-collapse: collapse;"> <tr> <th colspan="2">Combination type</th> <th colspan="2">Port size</th> </tr> <tr> <td>F/R+L</td> <td><b>A</b></td> <td>F/R+Fc</td> <td><b>M</b></td> </tr> <tr> <td>F+R+L</td> <td><b>B</b></td> <td>F+Fc1+Fc</td> <td><b>Q</b></td> </tr> <tr> <td>F+Fc</td> <td><b>F</b></td> <td>F/R+Fc+Fa</td> <td><b>T</b></td> </tr> <tr> <td>F+Fc+Fa</td> <td><b>G</b></td> <td></td> <td></td> </tr> </table> <p style="font-size: small;">* Combination type                      F = 5µ                      Fc1 = 1µ                      Fc = .01µ                      Fa = Adsorber</p> <table border="1" style="width: 100%; border-collapse: collapse;"> <tr> <th colspan="2">Bowl type</th> </tr> <tr> <td>Poly bowl with bowl guard</td> <td><b>G</b></td> </tr> <tr> <td>Metal bowl without sight gauge</td> <td><b>M</b></td> </tr> <tr> <td>Metal bowl with sight gauge</td> <td><b>S</b></td> </tr> </table> <p style="font-size: x-small;"><b>Note:</b> All bowl types are the same for each component  <b>Example:</b> If a "G" is specified for a F+L, both units would get a poly bowl with bowl guard.</p>	Combination		Thread type		B/V + Combination	<b>Q</b>	BSPP	<b>1</b>	Combination + B/V	<b>X</b>	BSPT	<b>2</b>	Combination	<b>C</b>	NPT	<b>9</b>	Shut off + Combination	<b>Y</b>			Combination + Shut off	<b>Z</b>			Combination type		Port size		F/R+L	<b>A</b>	F/R+Fc	<b>M</b>	F+R+L	<b>B</b>	F+Fc1+Fc	<b>Q</b>	F+Fc	<b>F</b>	F/R+Fc+Fa	<b>T</b>	F+Fc+Fa	<b>G</b>			Bowl type		Poly bowl with bowl guard	<b>G</b>	Metal bowl without sight gauge	<b>M</b>	Metal bowl with sight gauge	<b>S</b>	<table border="1" style="width: 100%; border-collapse: collapse;"> <tr> <th colspan="2">Element</th> </tr> <tr> <td>5µ Element</td> <td><b>E</b></td> </tr> <tr> <td>0.01µ Element</td> <td><b>C</b></td> </tr> <tr> <td>0.01µ Element with dpi</td> <td><b>D</b></td> </tr> <tr> <td>1µ Element</td> <td><b>9</b></td> </tr> <tr> <td>1µ Element with dpi</td> <td><b>Q</b></td> </tr> <tr> <td>Adsorber</td> <td><b>A</b></td> </tr> </table> <table border="1" style="width: 100%; border-collapse: collapse; margin-top: 10px;"> <tr> <th colspan="2">Drain type</th> </tr> <tr> <td>Auto drain</td> <td><b>A</b></td> </tr> <tr> <td>Manual drain</td> <td><b>M</b></td> </tr> </table>	Element		5µ Element	<b>E</b>	0.01µ Element	<b>C</b>	0.01µ Element with dpi	<b>D</b>	1µ Element	<b>9</b>	1µ Element with dpi	<b>Q</b>	Adsorber	<b>A</b>	Drain type		Auto drain	<b>A</b>	Manual drain	<b>M</b>	<table border="1" style="width: 100%; border-collapse: collapse;"> <tr> <th colspan="2">Relief / Adjustment</th> </tr> <tr> <td>Non-rising knob relieving</td> <td><b>N</b></td> </tr> </table> <table border="1" style="width: 100%; border-collapse: collapse; margin-top: 10px;"> <tr> <th colspan="2">Adjustment range</th> </tr> <tr> <td><b>With round gauge</b></td> <td></td> </tr> <tr> <td>0-2 bar; 0-30 psig; 0.2 MPa</td> <td><b>Z</b></td> </tr> <tr> <td>4 bar; 60 psig; 0.4 MPa</td> <td><b>M</b></td> </tr> <tr> <td>8 bar; 125 psig; 0.8 MPa</td> <td><b>G</b></td> </tr> <tr> <td>17 bar; 250 psig; 1.7 MPa</td> <td><b>J</b></td> </tr> <tr> <td><b>Without gauge</b></td> <td></td> </tr> <tr> <td>2 bar; 30 psig; 0.2 MPa</td> <td><b>Y</b></td> </tr> <tr> <td>4 bar; 60 psig; 0.4 MPa</td> <td><b>L</b></td> </tr> <tr> <td>8 bar; 125 psig; 0.8 MPa</td> <td><b>N</b></td> </tr> <tr> <td>17 bar; 250 psig; 1.7 MPa</td> <td><b>H</b></td> </tr> </table>	Relief / Adjustment		Non-rising knob relieving	<b>N</b>	Adjustment range		<b>With round gauge</b>		0-2 bar; 0-30 psig; 0.2 MPa	<b>Z</b>	4 bar; 60 psig; 0.4 MPa	<b>M</b>	8 bar; 125 psig; 0.8 MPa	<b>G</b>	17 bar; 250 psig; 1.7 MPa	<b>J</b>	<b>Without gauge</b>		2 bar; 30 psig; 0.2 MPa	<b>Y</b>	4 bar; 60 psig; 0.4 MPa	<b>L</b>	8 bar; 125 psig; 0.8 MPa	<b>N</b>	17 bar; 250 psig; 1.7 MPa	<b>H</b>	<table border="1" style="width: 100%; border-collapse: collapse;"> <tr> <th colspan="2">Lub type</th> </tr> <tr> <td>Oil mist standard sight dome</td> <td><b>L</b></td> </tr> </table> <table border="1" style="width: 100%; border-collapse: collapse; margin-top: 10px;"> <tr> <th colspan="2">Drain type</th> </tr> <tr> <td>No drain; closed end</td> <td><b>N</b></td> </tr> </table>	Lub type		Oil mist standard sight dome	<b>L</b>	Drain type		No drain; closed end	<b>N</b>	<table border="1" style="width: 100%; border-collapse: collapse;"> <tr> <th colspan="2">Mounting</th> </tr> <tr> <td>No bracket</td> <td><b>A</b></td> </tr> <tr> <td>Port blocks</td> <td><b>C</b></td> </tr> <tr> <td>Port blocks &amp; wall brkt</td> <td><b>D</b></td> </tr> <tr> <td>Wall bracket</td> <td><b>W</b></td> </tr> </table>	Mounting		No bracket	<b>A</b>	Port blocks	<b>C</b>	Port blocks & wall brkt	<b>D</b>	Wall bracket	<b>W</b>
Combination		Thread type																																																																																																																						
B/V + Combination	<b>Q</b>	BSPP	<b>1</b>																																																																																																																					
Combination + B/V	<b>X</b>	BSPT	<b>2</b>																																																																																																																					
Combination	<b>C</b>	NPT	<b>9</b>																																																																																																																					
Shut off + Combination	<b>Y</b>																																																																																																																							
Combination + Shut off	<b>Z</b>																																																																																																																							
Combination type		Port size																																																																																																																						
F/R+L	<b>A</b>	F/R+Fc	<b>M</b>																																																																																																																					
F+R+L	<b>B</b>	F+Fc1+Fc	<b>Q</b>																																																																																																																					
F+Fc	<b>F</b>	F/R+Fc+Fa	<b>T</b>																																																																																																																					
F+Fc+Fa	<b>G</b>																																																																																																																							
Bowl type																																																																																																																								
Poly bowl with bowl guard	<b>G</b>																																																																																																																							
Metal bowl without sight gauge	<b>M</b>																																																																																																																							
Metal bowl with sight gauge	<b>S</b>																																																																																																																							
Element																																																																																																																								
5µ Element	<b>E</b>																																																																																																																							
0.01µ Element	<b>C</b>																																																																																																																							
0.01µ Element with dpi	<b>D</b>																																																																																																																							
1µ Element	<b>9</b>																																																																																																																							
1µ Element with dpi	<b>Q</b>																																																																																																																							
Adsorber	<b>A</b>																																																																																																																							
Drain type																																																																																																																								
Auto drain	<b>A</b>																																																																																																																							
Manual drain	<b>M</b>																																																																																																																							
Relief / Adjustment																																																																																																																								
Non-rising knob relieving	<b>N</b>																																																																																																																							
Adjustment range																																																																																																																								
<b>With round gauge</b>																																																																																																																								
0-2 bar; 0-30 psig; 0.2 MPa	<b>Z</b>																																																																																																																							
4 bar; 60 psig; 0.4 MPa	<b>M</b>																																																																																																																							
8 bar; 125 psig; 0.8 MPa	<b>G</b>																																																																																																																							
17 bar; 250 psig; 1.7 MPa	<b>J</b>																																																																																																																							
<b>Without gauge</b>																																																																																																																								
2 bar; 30 psig; 0.2 MPa	<b>Y</b>																																																																																																																							
4 bar; 60 psig; 0.4 MPa	<b>L</b>																																																																																																																							
8 bar; 125 psig; 0.8 MPa	<b>N</b>																																																																																																																							
17 bar; 250 psig; 1.7 MPa	<b>H</b>																																																																																																																							
Lub type																																																																																																																								
Oil mist standard sight dome	<b>L</b>																																																																																																																							
Drain type																																																																																																																								
No drain; closed end	<b>N</b>																																																																																																																							
Mounting																																																																																																																								
No bracket	<b>A</b>																																																																																																																							
Port blocks	<b>C</b>																																																																																																																							
Port blocks & wall brkt	<b>D</b>																																																																																																																							
Wall bracket	<b>W</b>																																																																																																																							

### Mini Particulate Filter P31

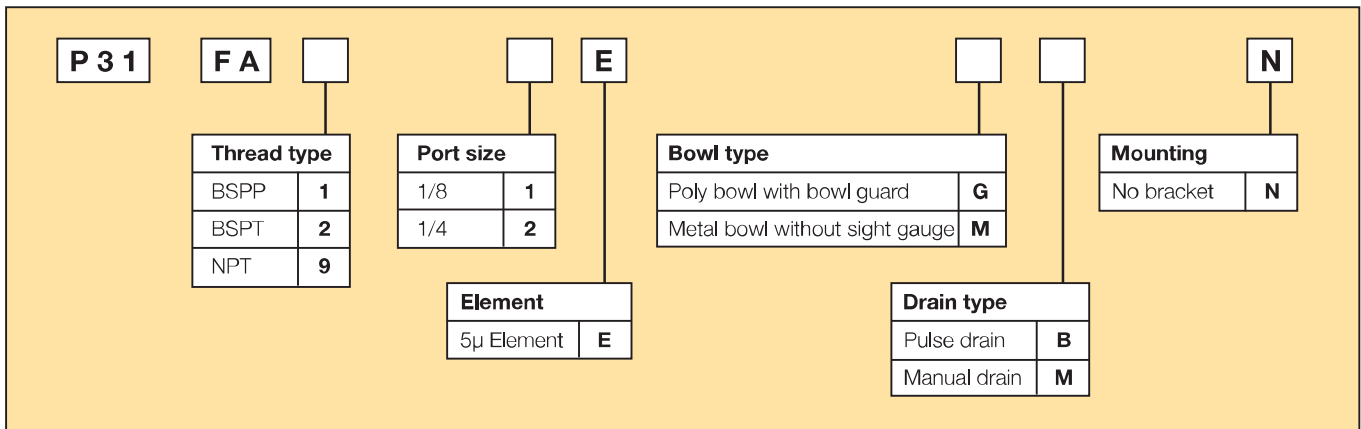


### Symbols



- Integral 1/4 ports (NPT, BSPP & BSPT)
- High efficiency 5 micron element as standard
- Excellent water removal efficiency
- Robust but lightweight aluminium construction
- One hand operation for easy element cartridge removal
- Positive bayonet latch to ensure correct & safe fitting

### Options:



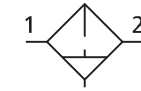
Port size	Description	Order Code =	Flow dm <sup>3</sup> /s (scfm) *	Max bar (psi)	Height mm (Inches)	Width mm (Inches)	Depth mm (Inches)
1/4"	Poly bowl - Manual drain	<b>P31FA22EGMN</b>	12 (25)	10 (150)	116.3 (4.58)	40 (1.58)	42.7 (1.68)
1/4"	Poly bowl - Pulse drain	<b>P31FA22EGBN</b>	12 (25)	10 (150)	116.3 (4.58)	40 (1.58)	42.7 (1.68)
1/4"	Metal bowl - Manual drain	<b>P31FA22EMMN</b>	12 (25)	17 (250)	116.3 (4.58)	40 (1.58)	42.7 (1.68)
1/4"	Metal bowl - Pulse drain	<b>P31FA22EMBN</b>	12 (25)	17 (250)	116.3 (4.58)	40 (1.58)	42.7 (1.68)

\* flow with 6.3 bar (91.3 psig) inlet pressure and 0.34 (4.9 psig) pressure drop.  
 = Standard part numbers shown in bold. For further models refer to Options chart above.

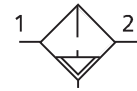
## Compact Particulate Filter P32



### Symbols



Manual drain



Auto drain

- Integral 1/4, 3/8 or 1/2 ports (NPT, BSPP & BSPT)
- High efficiency 5 micron element as standard
- Excellent water removal efficiency
- Robust but lightweight aluminium construction
- Positive bayonet latch to ensure correct & safe fitting

### Options:

<b>P 32</b>	<b>FA</b>			<b>E</b>				<b>N</b>
<b>Thread type</b>		<b>Port size</b>		<b>Bowl type</b>		<b>Mounting</b>		
BSPP	<b>1</b>	1/4	<b>2</b>	Poly bowl with bowl guard	<b>G</b>	No bracket		<b>N</b>
BSPT	<b>2</b>	3/8	<b>3</b>	Metal bowl without sight gauge	<b>M</b>			
NPT	<b>9</b>	1/2	<b>4</b>	Metal bowl with sight gauge	<b>S</b>			
<b>Element</b>				<b>Drain type</b>				
5µ Element				Manual drain		<b>M</b>		
				Auto drain		<b>A</b>		

Port size	Description	Order Code =	Flow dm <sup>3</sup> /s * (scfm) *	Max bar (psi)	Height mm (Inches)	Width mm (Inches)	Depth mm (Inches)
1/4	Poly bowl - Manual drain	<b>P32FA22EGMN</b>	18 (38)	10 (150)	188 (7.4)	60 (2.36)	60 (2.36)
1/4	Poly bowl - Auto drain	<b>P32FA22EGAN</b>	18 (38)	10 (150)	182 (7.2)	60 (2.36)	60 (2.36)
1/4	Metal bowl sight glass - Manual drain	<b>P32FA22ESMN</b>	18 (38)	17 (250)	188 (7.4)	60 (2.36)	60 (2.36)
1/4	Metal bowl sight glass - Auto drain	<b>P32FA22ESAN</b>	18 (38)	17 (250)	182 (7.2)	60 (2.36)	60 (2.36)
3/8	Poly bowl - Manual drain	<b>P32FA23EGMN</b>	30 (64)	10 (150)	188 (7.4)	60 (2.36)	60 (2.36)
3/8	Poly bowl - Auto drain	<b>P32FA23EGAN</b>	30 (64)	10 (150)	182 (7.2)	60 (2.36)	60 (2.36)
3/8	Metal bowl sight glass - Manual drain	<b>P32FA23ESMN</b>	30 (64)	17 (250)	188 (7.4)	60 (2.36)	60 (2.36)
3/8	Metal bowl sight glass - Auto drain	<b>P32FA23ESAN</b>	30 (64)	17 (250)	182 (7.2)	60 (2.36)	60 (2.36)
1/2	Poly bowl - Manual drain	<b>P32FA24EGMN</b>	38 (80)	10 (150)	188 (7.4)	60 (2.36)	60 (2.36)
1/2	Poly bowl - Auto drain	<b>P32FA24EGAN</b>	38 (80)	10 (150)	182 (7.2)	60 (2.36)	60 (2.36)
1/2	Metal bowl sight glass - Manual drain	<b>P32FA24ESMN</b>	38 (80)	17 (250)	188 (7.4)	60 (2.36)	60 (2.36)
1/2	Metal bowl sight glass - Auto drain	<b>P32FA24ESAN</b>	38 (80)	17 (250)	182 (7.2)	60 (2.36)	60 (2.36)

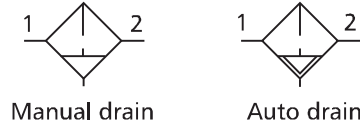
\* flow with 6.3 bar (91.3 psig) inlet pressure and 0.34 (4.9 psig) pressure drop.

= Standard part numbers shown in bold. For further models refer to Options chart above.

## Standard Particulate Filter P33

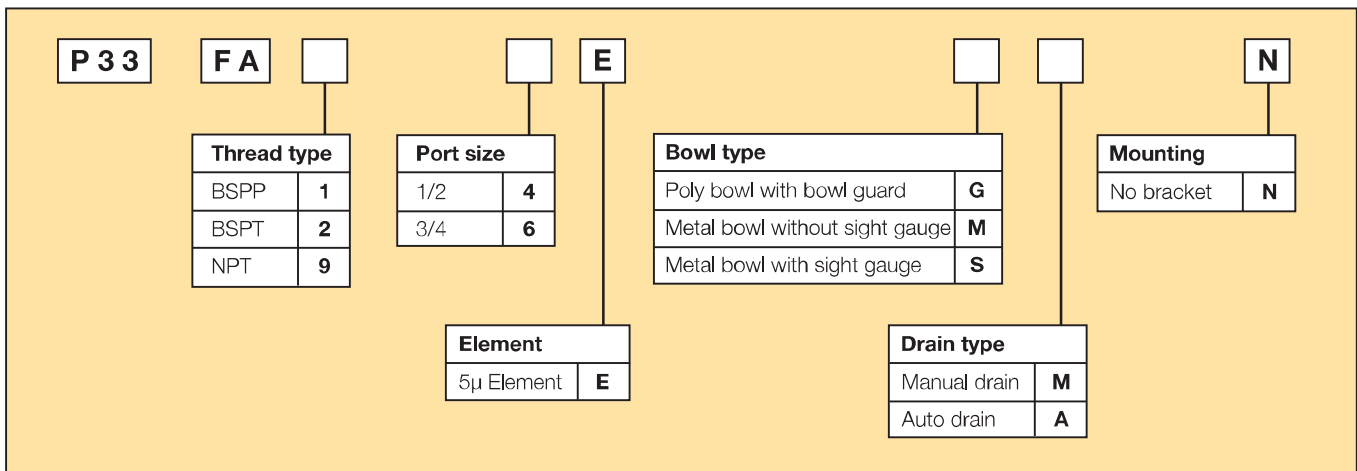


### Symbols



- Integral 1/2 or 3/4 ports (NPT, BSPP & BSPT)
- High efficiency 5 micron element as standard
- Excellent water removal efficiency
- Robust but lightweight aluminium construction
- Positive bayonet latch to ensure correct & safe fitting

### Options:



Port size	Description	Order Code =	Flow dm <sup>3</sup> /s * (scfm *)	Max bar (psi)	Height mm (Inches)	Width mm (Inches)	Depth mm (Inches)
1/2"	Poly bowl - Manual drain	<b>P33FA24EGMN</b>	40 (85)	10 (150)	213 (8.4)	73 (2.9)	73 (2.9)
1/2"	Poly bowl - Auto drain	<b>P33FA24EGAN</b>	40 (85)	10 (150)	207 (8.2)	73 (2.9)	73 (2.9)
1/2"	Metal bowl sight glass - Manual drain	<b>P33FA24ESMN</b>	40 (85)	17 (250)	213 (8.4)	73 (2.9)	73 (2.9)
1/2"	Metal bowl sight glass - Auto drain	<b>P33FA24ESAN</b>	40 (85)	17 (250)	207 (8.2)	73 (2.9)	73 (2.9)
3/4"	Poly bowl - Manual drain	<b>P33FA26EGMN</b>	48 (102)	10 (150)	213 (8.4)	73 (2.9)	73 (2.9)
3/4"	Poly bowl - Auto drain	<b>P33FA26EGAN</b>	48 (102)	10 (150)	207 (8.2)	73 (2.9)	73 (2.9)
3/4"	Metal bowl sight glass - Manual drain	<b>P33FA26ESMN</b>	48 (102)	17 (250)	213 (8.4)	73 (2.9)	73 (2.9)
3/4"	Metal bowl sight glass - Auto drain	<b>P33FA26ESAN</b>	48 (102)	17 (250)	207 (8.2)	73 (2.9)	73 (2.9)

\* flow with 6.3 bar (91.3 psig) inlet pressure and 0.34 (4.9 psig) pressure drop.  
 = Standard part numbers shown in bold. For further models refer to Options chart above.

## Mini Coalescing and Adsorber Filters P31



- Integral 1/4 ports (NPT, BSPP & BSPT)
- Removes liquid aerosols and sub micron particles
- Oil free air for critical applications, such as air gauging, pneumatic instrumentation and control
- Positive bayonet latch to ensure correct & safe fitting
- Adsorbing activated carbon element removes oil vapours and most hydrocarbons

**Note:** To optimise the life of coalescing element, it is advisable to install a P31F pre-filter with a 5 micron element upstream of the coalescing filter.

To optimise the life of an Adsorber it is advisable to install a P31 Coalescing Filter upstream of the Adsorber. Adsorber element should be replaced approx. every 1000 hours of service

### Options:

<b>P 3 1</b>	<b>F A</b>						<b>N</b>
<b>Thread type</b>		<b>Port size</b>		<b>Bowl type</b>		<b>Mounting</b>	
BSPP	<b>1</b>	1/8	<b>1</b>	Poly bowl with bowl guard	<b>G</b>	No bracket	
BSPT	<b>2</b>	1/4	<b>2</b>	Metal bowl without sight gauge	<b>M</b>		
NPT	<b>9</b>						
		<b>Element</b>		<b>Drain type</b>			
		0.01µ Element	<b>C</b>	Pulse drain	<b>B</b>		
		1µ Element	<b>9</b>	Manual drain	<b>M</b>		
		Adsorber	<b>A</b>				

Port size	Description	Order Code =	Flow dm <sup>3</sup> /s (scfm) *	Max bar (psi)	Height mm (Inches)	Width mm (Inches)	Depth mm (Inches)
1/4"	Poly bowl - 0.01 micron - Manual drain	<b>P31FA22CGMN</b>	2 (4.2)	10 (150)	116.3 (4.58)	40 (1.58)	42.7 (1.68)
1/4"	Poly bowl - 0.01 micron - Pulse drain	<b>P31FA22CGBN</b>	2 (4.2)	10 (150)	116.3 (4.58)	40 (1.58)	42.7 (1.68)
1/4"	Metal bowl - 0.01 micron - Manual drain	<b>P31FA22CMMN</b>	2 (4.2)	17 (250)	116.3 (4.58)	40 (1.58)	42.7 (1.68)
1/4"	Metal bowl - 0.01 micron - Pulse drain	<b>P31FA22CMBN</b>	2 (4.2)	17 (250)	116.3 (4.58)	40 (1.58)	42.7 (1.68)
1/4"	Poly bowl - Adsorber	<b>P31FA22AGMN</b>	6 (13)	10 (150)	116.3 (4.58)	40 (1.58)	42.7 (1.68)
1/4"	Metal bowl - Adsorber	<b>P31FA22AMMN</b>	6 (13)	17 (250)	116.3 (4.58)	40 (1.58)	42.7 (1.68)

\* flow with 6.3 bar (91.3 psig) inlet pressure and 0.2 bar (3 psig) pressure drop.

= Standard part numbers shown in bold. For further models refer to Options chart above.



## Compact Coalescing and Adsorber Filter P32



- Integral 1/4, 3/8 or 1/2 ports (NPT, BSPP & BSPT)
- Removes liquid aerosols and sub micron particles
- Oil free air for critical applications, such as air gauging, pneumatic instrumentation and control
- Differential Pressure Indicator (DPI) standard on Coalescing Filters
- Positive bayonet latch to ensure correct & safe fitting
- Adsorbing activated carbon element removes oil vapours and most hydrocarbons

Note: To optimise the life of coalescing element, it is advisable to install a P32F pre-filter with a 5 micron element upstream of the coalescing filter.

To optimise the life of an Adsorber it is advisable to install a P32 Coalescing Filter upstream of the Adsorber. Adsorber element should be replaced approx. every 1000 hours of service

### Options:

<b>P 3 2</b>	<b>F A</b>							<b>N</b>
<b>Thread type</b>		<b>Port size</b>		<b>Bowl type</b>		<b>Mounting</b>		
BSPP	<b>1</b>	1/4	<b>2</b>	Poly bowl with bowl guard	<b>G</b>	No bracket <b>N</b>		
BSPT	<b>2</b>	3/8	<b>3</b>	Metal bowl without sight gauge	<b>M</b>			
NPT	<b>9</b>	1/2	<b>4</b>	Metal bowl with sight gauge	<b>S</b>			
<b>Element</b>				<b>Drain type</b>				
0.01µ Element		<b>C</b>		Manual drain		<b>M</b>		
0.01µ Element with dpi		<b>D</b>		Auto drain		<b>A</b>		
1µ Element		<b>9</b>						
1µ Element with dpi		<b>Q</b>						
Adsorber		<b>A</b>						

Port size	Description	Order Code =	Flow dm <sup>3</sup> /s *	(scfm) *	Max bar	(psi)	Height mm (Inches)	Width mm (Inches)	Depth mm (Inches)
1/4"	Poly bowl - 0.01 Micron, Manual drain	<b>P32FA22DGMN</b>	11	(23)	10	(150)	209 (8.2)	60 (2.36)	60 (2.36)
1/4"	Poly bowl - 0.01 Micron, Auto drain	<b>P32FA22DGAN</b>	11	(23)	10	(150)	203 (8.0)	60 (2.36)	60 (2.36)
1/4"	Metal bowl - 0.01 Micron, Manual drain	<b>P32FA22DSMN</b>	11	(23)	17	(250)	209 (8.2)	60 (2.36)	60 (2.36)
1/4"	Metal bowl - 0.01 Micron, Auto drain	<b>P32FA22DSAN</b>	11	(23)	17	(250)	203 (8.0)	60 (2.36)	60 (2.36)
3/8"	Poly bowl - 0.01 Micron, Manual drain	<b>P32FA23DGMN</b>	11	(23)	10	(150)	209 (8.2)	60 (2.36)	60 (2.36)
3/8"	Poly bowl - 0.01 Micron, Auto drain	<b>P32FA23DGAN</b>	11	(23)	10	(150)	203 (8.0)	60 (2.36)	60 (2.36)
3/8"	Metal bowl - 0.01 Micron, Manual drain	<b>P32FA23DSMN</b>	11	(23)	17	(250)	209 (8.2)	60 (2.36)	60 (2.36)
3/8"	Metal bowl - 0.01 Micron, Auto drain	<b>P32FA23DSAN</b>	11	(23)	17	(250)	203 (8.0)	60 (2.36)	60 (2.36)
1/2"	Poly bowl - 0.01 Micron, Manual drain	<b>P32FA24DGMN</b>	11	(23)	10	(150)	209 (8.2)	60 (2.36)	60 (2.36)
1/2"	Poly bowl - 0.01 Micron, Auto drain	<b>P32FA24DGAN</b>	11	(23)	10	(150)	203 (8.0)	60 (2.36)	60 (2.36)
1/2"	Metal bowl - 0.01 Micron, Manual drain	<b>P32FA24DSMN</b>	11	(23)	17	(250)	209 (8.2)	60 (2.36)	60 (2.36)
1/2"	Metal bowl - 0.01 Micron, Auto drain	<b>P32FA24DSAN</b>	11	(23)	17	(250)	203 (8.0)	60 (2.36)	60 (2.36)

\* flow with 6.3 bar (91.3 psig) inlet pressure and 0.2 bar (3 psig) pressure drop.

= Standard part numbers shown in bold. For further models refer to Options chart above.

### Standard Coalescing and Adsorber Filter P33



- Integral 1/2 or 3/4 ports (NPT, BSPP & BSPT)
- Removes liquid aerosols and sub micron particles
- Oil free air for critical applications, such as air gauging, pneumatic instrumentation and control
- Differential Pressure Indicator (DPI) standard on Coalescing Filters
- Positive bayonet latch to ensure correct & safe fitting
- Adsorbing activated carbon element removes oil vapours and most hydrocarbons

Note: To optimise the life of coalescing element, it is advisable to install a P33F pre-filter with a 5 micron element upstream of the coalescing filter.

To optimise the life of an Adsorber it is advisable to install a P33 Coalescing Filter upstream of the Adsorber. Adsorber element should be replaced approx. every 1000 hours of service

#### Options:

<b>P 33</b>	<b>FA</b>							<b>N</b>
<b>Thread type</b>		<b>Port size</b>		<b>Bowl type</b>			<b>Mounting</b>	
BSPP	<b>1</b>	1/2	<b>4</b>	Poly bowl with bowl guard	<b>G</b>		No bracket	<b>N</b>
BSPT	<b>2</b>	3/4	<b>6</b>	Metal bowl without sight gauge	<b>M</b>			
NPT	<b>9</b>			Metal bowl with sight gauge	<b>S</b>			
<b>Element</b>				<b>Drain type</b>				
0.01µ Element		<b>C</b>		Manual drain	<b>M</b>			
0.01µ Element with dpi		<b>D</b>		Auto drain	<b>A</b>			
1µ Element		<b>9</b>						
1µ Element with dpi		<b>Q</b>						
Adsorber		<b>A</b>						

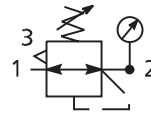
Port size	Description	Order Code =	Flow dm <sup>3</sup> /s *	(scfm) *	Max bar	(psi)	Height mm (Inches)	Width mm (Inches)	Depth mm (Inches)
1/2"	Poly bowl - 0.01 Micron, Manual drain	<b>P33FA24DGMN</b>	20	(42)	10	(150)	235 (9.3)	73 (2.9)	73 (2.9)
1/2"	Poly bowl - 0.01 Micron, Auto drain	<b>P33FA24DGAN</b>	20	(42)	10	(150)	229 (9.0)	73 (2.9)	73 (2.9)
1/2"	Metal bowl - 0.01 Micron, Manual drain	<b>P33FA24DSMN</b>	20	(42)	17	(250)	235 (9.3)	73 (2.9)	73 (2.9)
1/2"	Metal bowl - 0.01 Micron, Auto drain	<b>P33FA24DSAN</b>	20	(42)	17	(250)	229 (9.0)	73 (2.9)	73 (2.9)
3/4"	Poly bowl - 0.01 Micron, Manual drain	<b>P33FA26DGMN</b>	20	(42)	10	(150)	235 (9.3)	73 (2.9)	73 (2.9)
3/4"	Poly bowl - 0.01 Micron, Auto drain	<b>P33FA26DGAN</b>	20	(42)	10	(150)	229 (9.0)	73 (2.9)	73 (2.9)
3/4"	Metal bowl - 0.01 Micron, Manual drain	<b>P33FA26DSMN</b>	20	(42)	17	(250)	235 (9.3)	73 (2.9)	73 (2.9)
3/4"	Metal bowl - 0.01 Micron, Auto drain	<b>P33FA26DSAN</b>	20	(42)	17	(250)	229 (9.0)	73 (2.9)	73 (2.9)

\* flow with 6.3 bar (91.3 psig) inlet pressure and 0.2 bar (3 psig) pressure drop.  
 = Standard part numbers shown in bold. For further models refer to Options chart above.

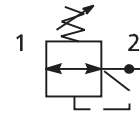
### Mini Regulator P31



### Symbols



Self relieving regulator with gauge



Non relieving regulator

- Integral 1/4 ports (NPT, BSPP & BSPT)
- Robust but lightweight aluminium construction
- Secondary pressure ranges 0-2 bar (0-30 psig), 0-4 bar, (0-60 psig), 0-8 bar (0-125 psig)
- Secondary aspiration plus balanced poppet provides quick response and accurate pressure regulation.
- Relieving & Non-relieving types
- Non-rising knob

### Options:

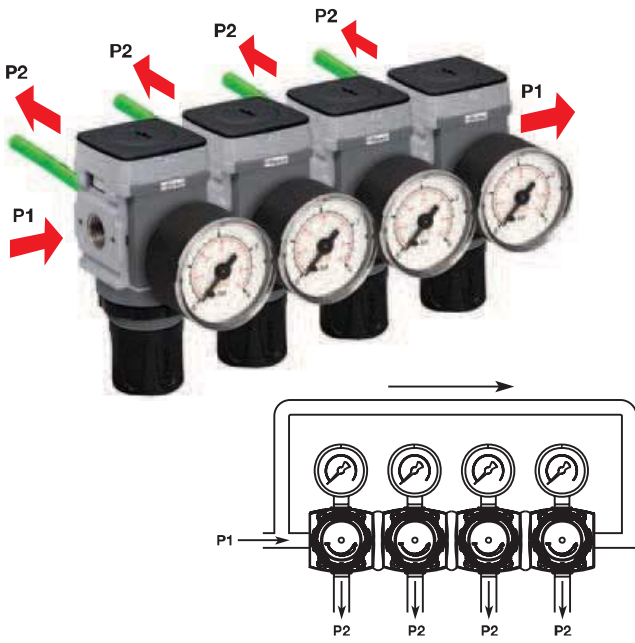
<b>P 31</b>	<b>RA</b>				<b>N</b>		<b>P</b>																						
	<table border="1" style="width: 100%; border-collapse: collapse;"> <tr><th colspan="2">Thread type</th></tr> <tr><td>BSPP</td><td style="text-align: center;">1</td></tr> <tr><td>BSPT</td><td style="text-align: center;">2</td></tr> <tr><td>NPT</td><td style="text-align: center;">9</td></tr> </table>	Thread type		BSPP	1	BSPT	2	NPT	9	<table border="1" style="width: 100%; border-collapse: collapse;"> <tr><th colspan="2">Port size</th></tr> <tr><td>1/4</td><td style="text-align: center;">2</td></tr> </table>	Port size		1/4	2					<table border="1" style="width: 100%; border-collapse: collapse;"> <tr><th colspan="2">Mounting</th></tr> <tr><td>Plastic panel mount nut</td><td style="text-align: center;">P</td></tr> </table>	Mounting		Plastic panel mount nut	P						
Thread type																													
BSPP	1																												
BSPT	2																												
NPT	9																												
Port size																													
1/4	2																												
Mounting																													
Plastic panel mount nut	P																												
		<table border="1" style="width: 100%; border-collapse: collapse;"> <tr><th colspan="2">Relief</th></tr> <tr><td>Relieving</td><td style="text-align: center;">B</td></tr> <tr><td>Non relieving</td><td style="text-align: center;">N</td></tr> <tr><td>Reverse flow / relieving</td><td style="text-align: center;">R</td></tr> </table>	Relief		Relieving	B	Non relieving	N	Reverse flow / relieving	R				<table border="1" style="width: 100%; border-collapse: collapse;"> <tr><th colspan="3">Adjustment range</th></tr> <tr> <th>With square gauge</th> <th>With round gauge</th> <th>Without gauge</th> </tr> <tr> <td>2 bar (0.2 MPa)* <b>2</b></td> <td>2 bar (0.2 MPa)* <b>Z</b></td> <td>2 bar (0.2 MPa)* <b>Y</b></td> </tr> <tr> <td>4 bar (0.4 MPa)* <b>4</b></td> <td>4 bar (0.4 MPa)* <b>M</b></td> <td>4 bar (0.4 MPa)* <b>L</b></td> </tr> <tr> <td>8 bar (0.8 MPa)** <b>6</b></td> <td>8 bar (0.8 MPa)** <b>G</b></td> <td>8 bar (0.8 MPa)** <b>N</b></td> </tr> </table>	Adjustment range			With square gauge	With round gauge	Without gauge	2 bar (0.2 MPa)* <b>2</b>	2 bar (0.2 MPa)* <b>Z</b>	2 bar (0.2 MPa)* <b>Y</b>	4 bar (0.4 MPa)* <b>4</b>	4 bar (0.4 MPa)* <b>M</b>	4 bar (0.4 MPa)* <b>L</b>	8 bar (0.8 MPa)** <b>6</b>	8 bar (0.8 MPa)** <b>G</b>	8 bar (0.8 MPa)** <b>N</b>
Relief																													
Relieving	B																												
Non relieving	N																												
Reverse flow / relieving	R																												
Adjustment range																													
With square gauge	With round gauge	Without gauge																											
2 bar (0.2 MPa)* <b>2</b>	2 bar (0.2 MPa)* <b>Z</b>	2 bar (0.2 MPa)* <b>Y</b>																											
4 bar (0.4 MPa)* <b>4</b>	4 bar (0.4 MPa)* <b>M</b>	4 bar (0.4 MPa)* <b>L</b>																											
8 bar (0.8 MPa)** <b>6</b>	8 bar (0.8 MPa)** <b>G</b>	8 bar (0.8 MPa)** <b>N</b>																											

\* Unit comes with 0-4 bar gauge  
\*\* Unit comes with 0-10 bar gauge

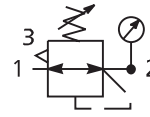
Port size	Description	Order Code =	Flow dm <sup>3</sup> /s (scfm) * *	Max bar (psi)	Height mm (Inches)	Width mm (Inches)	Depth mm (Inches)
1/4"	8 bar (125 psig) relieving	<b>P31RA22BNNP</b>	30 (64)	20 (300)	100.1 (3.94)	40 (1.58)	40 (1.58)
1/4"	8 bar (125 psig) + gauge	<b>P31RA22BN6P</b>	30 (64)	20 (300)	100.1 (3.94)	40 (1.58)	64.3 (2.53)

\* flow with 10 bar (145 psig) inlet pressure, 6.3 bar (91.3 psig) set pressure and 1 bar (14.5 psig) pressure drop.  
= Standard part numbers shown in bold. For further models refer to Options chart above.

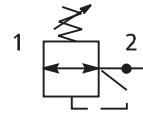
### Mini Common - P1 Regulator P31



### Symbols



Self relieving regulator with gauge



Non relieving regulator

- Manifold style regulator with line pressure on both sides.
- Pressure output is at front or rear.
- Integral 1/4 ports (NPT, BSPP & BSPT)
- Robust construction
- Secondary pressure ranges 0-2 bar (0-30 psig), 0-4 bar, (0-60 psig), 0-8 bar (0-125 psig)
- Secondary aspiration plus balanced poppet provides quick response and accurate pressure regulation.
- Relieving & Non-relieving types
- Non-rising knob

### Options:

<b>P 3 1</b>	<b>H A</b>				<b>N</b>			<b>P</b>																																	
<table border="1"> <thead> <tr> <th colspan="2">Thread type</th> </tr> </thead> <tbody> <tr> <td>BSPP</td> <td><b>1</b></td> </tr> <tr> <td>BSPT</td> <td><b>2</b></td> </tr> <tr> <td>NPT</td> <td><b>9</b></td> </tr> </tbody> </table>		Thread type		BSPP	<b>1</b>	BSPT	<b>2</b>	NPT	<b>9</b>	<table border="1"> <thead> <tr> <th colspan="2">Port size</th> </tr> </thead> <tbody> <tr> <td>1/4</td> <td><b>2</b></td> </tr> </tbody> </table>		Port size		1/4	<b>2</b>	<table border="1"> <thead> <tr> <th colspan="2">Relief</th> </tr> </thead> <tbody> <tr> <td>Relieving</td> <td><b>B</b></td> </tr> <tr> <td>Non relieving</td> <td><b>N</b></td> </tr> </tbody> </table>		Relief		Relieving	<b>B</b>	Non relieving	<b>N</b>	<table border="1"> <thead> <tr> <th colspan="2">Adjustment range</th> </tr> </thead> <tbody> <tr> <td colspan="2"><b>Without gauge</b></td> </tr> <tr> <td>2 bar; 30 psig</td> <td><b>Y</b></td> </tr> <tr> <td>4 bar; 60 psig</td> <td><b>L</b></td> </tr> <tr> <td>8 bar; 125 psig</td> <td><b>N</b></td> </tr> </tbody> </table>		Adjustment range		<b>Without gauge</b>		2 bar; 30 psig	<b>Y</b>	4 bar; 60 psig	<b>L</b>	8 bar; 125 psig	<b>N</b>	<table border="1"> <thead> <tr> <th colspan="2">Mounting</th> </tr> </thead> <tbody> <tr> <td>Plastic panel mount nut</td> <td><b>P</b></td> </tr> </tbody> </table>		Mounting		Plastic panel mount nut	<b>P</b>
Thread type																																									
BSPP	<b>1</b>																																								
BSPT	<b>2</b>																																								
NPT	<b>9</b>																																								
Port size																																									
1/4	<b>2</b>																																								
Relief																																									
Relieving	<b>B</b>																																								
Non relieving	<b>N</b>																																								
Adjustment range																																									
<b>Without gauge</b>																																									
2 bar; 30 psig	<b>Y</b>																																								
4 bar; 60 psig	<b>L</b>																																								
8 bar; 125 psig	<b>N</b>																																								
Mounting																																									
Plastic panel mount nut	<b>P</b>																																								

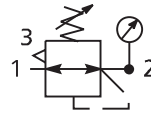
Port size	Description	Order Code =	Flow dm <sup>3</sup> /s (scfm) * *	Max bar (psi)	Height mm (Inches)	Width mm (Inches)	Depth mm (Inches)
1/4"	8 bar (125 psi) Relieving	<b>P31HA22BNNP</b>	7 (16)	20 (300)	100.1 (3.94)	40 (1.58)	40 (1.58)

\* flow with 10 bar (145 psig) inlet pressure, 6.3 bar (91.3 psig) set pressure and 1 bar (14.5 psig) pressure drop.  
 = Standard part numbers shown in bold. For further models refer to Options chart above.

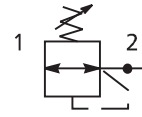
## Compact Regulator P32



### Symbols



Self relieving regulator with gauge



Non relieving regulator

- Integral 1/4, 3/8 or 1/2 ports (NPT, BSPP & BSPT)
- Robust but lightweight aluminium construction
- Secondary pressure ranges 0-2 bar (0-30 psig), 0-4 bar, (0-60 psig), 0-8 bar (0-125 psig), 0-17 bar (0-250 psig)
- Secondary aspiration plus balanced poppet provides quick response and accurate pressure regulation.
- Relieving & Non-relieving types
- Non-rising knob

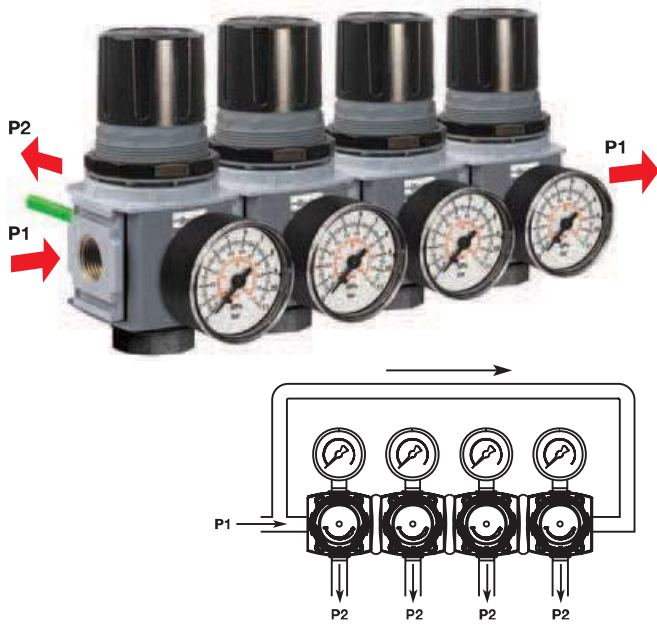
### Options:

<b>P 3 2</b>	<b>RA</b>				<b>N</b>		<b>P</b>																																																				
<table border="1"> <thead> <tr> <th colspan="2">Thread type</th> </tr> </thead> <tbody> <tr> <td>BSPP</td> <td><b>1</b></td> </tr> <tr> <td>BSPT</td> <td><b>2</b></td> </tr> <tr> <td>NPT</td> <td><b>9</b></td> </tr> </tbody> </table>		Thread type		BSPP	<b>1</b>	BSPT	<b>2</b>	NPT	<b>9</b>	<table border="1"> <thead> <tr> <th colspan="2">Port size</th> </tr> </thead> <tbody> <tr> <td>1/4</td> <td><b>2</b></td> </tr> <tr> <td>3/8</td> <td><b>3</b></td> </tr> <tr> <td>1/2</td> <td><b>4</b></td> </tr> </tbody> </table>		Port size		1/4	<b>2</b>	3/8	<b>3</b>	1/2	<b>4</b>	<table border="1"> <thead> <tr> <th colspan="2">Relief</th> </tr> </thead> <tbody> <tr> <td>Relieving</td> <td><b>B</b></td> </tr> <tr> <td>Non relieving</td> <td><b>N</b></td> </tr> <tr> <td>Reverse flow / relieving</td> <td><b>R</b></td> </tr> </tbody> </table>		Relief		Relieving	<b>B</b>	Non relieving	<b>N</b>	Reverse flow / relieving	<b>R</b>	<table border="1"> <thead> <tr> <th colspan="2">Adjustment range</th> </tr> </thead> <tbody> <tr> <td colspan="2"><b>With round gauge</b></td> </tr> <tr> <td>2 bar; 30 psig; 0.2 MPa</td> <td><b>Z</b></td> </tr> <tr> <td>4 bar; 60 psig; 0.4 MPa</td> <td><b>M</b></td> </tr> <tr> <td>8 bar; 125 psig; 0.8 MPa</td> <td><b>G</b></td> </tr> <tr> <td>17 bar; 250 psig; 1.7 MPa</td> <td><b>J</b></td> </tr> <tr> <td colspan="2"><b>Without gauge</b></td> </tr> <tr> <td>2 bar; 30 psig; 0.2 MPa</td> <td><b>Y</b></td> </tr> <tr> <td>4 bar; 60 psig; 0.4 MPa</td> <td><b>L</b></td> </tr> <tr> <td>8 bar; 125 psig; 0.8 MPa</td> <td><b>N</b></td> </tr> <tr> <td>17 bar; 250 psig; 1.7 MPa</td> <td><b>H</b></td> </tr> </tbody> </table>		Adjustment range		<b>With round gauge</b>		2 bar; 30 psig; 0.2 MPa	<b>Z</b>	4 bar; 60 psig; 0.4 MPa	<b>M</b>	8 bar; 125 psig; 0.8 MPa	<b>G</b>	17 bar; 250 psig; 1.7 MPa	<b>J</b>	<b>Without gauge</b>		2 bar; 30 psig; 0.2 MPa	<b>Y</b>	4 bar; 60 psig; 0.4 MPa	<b>L</b>	8 bar; 125 psig; 0.8 MPa	<b>N</b>	17 bar; 250 psig; 1.7 MPa	<b>H</b>	<table border="1"> <thead> <tr> <th colspan="2">Mounting</th> </tr> </thead> <tbody> <tr> <td>Plastic panel mount nut</td> <td><b>P</b></td> </tr> </tbody> </table>		Mounting		Plastic panel mount nut	<b>P</b>
Thread type																																																											
BSPP	<b>1</b>																																																										
BSPT	<b>2</b>																																																										
NPT	<b>9</b>																																																										
Port size																																																											
1/4	<b>2</b>																																																										
3/8	<b>3</b>																																																										
1/2	<b>4</b>																																																										
Relief																																																											
Relieving	<b>B</b>																																																										
Non relieving	<b>N</b>																																																										
Reverse flow / relieving	<b>R</b>																																																										
Adjustment range																																																											
<b>With round gauge</b>																																																											
2 bar; 30 psig; 0.2 MPa	<b>Z</b>																																																										
4 bar; 60 psig; 0.4 MPa	<b>M</b>																																																										
8 bar; 125 psig; 0.8 MPa	<b>G</b>																																																										
17 bar; 250 psig; 1.7 MPa	<b>J</b>																																																										
<b>Without gauge</b>																																																											
2 bar; 30 psig; 0.2 MPa	<b>Y</b>																																																										
4 bar; 60 psig; 0.4 MPa	<b>L</b>																																																										
8 bar; 125 psig; 0.8 MPa	<b>N</b>																																																										
17 bar; 250 psig; 1.7 MPa	<b>H</b>																																																										
Mounting																																																											
Plastic panel mount nut	<b>P</b>																																																										

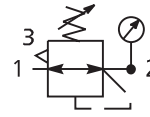
Port size	Description	Order Code =	Flow dm <sup>3</sup> /s * (scfm) *	Max bar (psi)	Height mm (Inches)	Width mm (Inches)	Depth mm (Inches)
1/4"	8 bar (125 psi) Relieving	<b>P32RA22BNNP</b>	41 (87)	20 (300)	136 (5.4)	60 (2.36)	60 (2.36)
1/4"	8 bar (125 psi) Relieving + Gauge	<b>P32RA22BNGP</b>	41 (87)	20 (300)	136 (5.4)	60 (2.36)	60 (2.36)
3/8"	8 bar (125 psi) Relieving	<b>P32RA23BNNP</b>	65 (136)	20 (300)	136 (5.4)	60 (2.36)	60 (2.36)
3/8"	8 bar (125 psi) Relieving + Gauge	<b>P32RA23BNGP</b>	65 (136)	20 (300)	136 (5.4)	60 (2.36)	60 (2.36)
1/2"	8 bar (125 psi) Relieving	<b>P32RA24BNNP</b>	67 (142)	20 (300)	136 (5.4)	60 (2.36)	60 (2.36)
1/2"	8 bar (125 psi) Relieving + Gauge	<b>P32RA24BNGP</b>	67 (142)	20 (300)	136 (5.4)	60 (2.36)	60 (2.36)

\* flow with 10 bar (145 psig) inlet pressure, 6.3 bar (91.3 psig) set pressure and 1 bar (14.5 psig) pressure drop.  
 = Standard part numbers shown in bold. For further models refer to Options chart above.

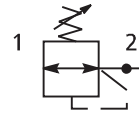
### Compact Common P1 Regulator P32



### Symbols



Self relieving regulator with gauge



Non relieving regulator

- Manifold style regulator with line pressure on both sides.
- Pressure output is at front or rear.
- Integral 1/4, 3/8 or 1/2 ports (NPT, BSPP & BSPT)
- Robust construction
- Secondary pressure ranges 0-2 bar (0-30 psig), 0-4 bar, (0-60 psig), 0-8 bar (0-125 psig), 0-17 bar (0-250 psig)
- Secondary aspiration plus balanced poppet provides quick response and accurate pressure regulation.
- Relieving & Non-relieving types
- Non-rising knob

### Options:

<b>P 3 2</b>	<b>H A</b>				<b>N</b>		<b>P</b>																																							
<table border="1"> <thead> <tr><th colspan="2">Thread type</th></tr> </thead> <tbody> <tr><td>BSPP</td><td><b>1</b></td></tr> <tr><td>BSPT</td><td><b>2</b></td></tr> <tr><td>NPT</td><td><b>9</b></td></tr> </tbody> </table>		Thread type		BSPP	<b>1</b>	BSPT	<b>2</b>	NPT	<b>9</b>	<table border="1"> <thead> <tr><th colspan="2">Port size</th></tr> </thead> <tbody> <tr><td>1/4</td><td><b>2</b></td></tr> <tr><td>3/8</td><td><b>3</b></td></tr> <tr><td>1/2</td><td><b>4</b></td></tr> </tbody> </table>		Port size		1/4	<b>2</b>	3/8	<b>3</b>	1/2	<b>4</b>	<table border="1"> <thead> <tr><th colspan="2">Relief</th></tr> </thead> <tbody> <tr><td>Relieving</td><td><b>B</b></td></tr> <tr><td>Non relieving</td><td><b>N</b></td></tr> </tbody> </table>		Relief		Relieving	<b>B</b>	Non relieving	<b>N</b>	<table border="1"> <thead> <tr><th colspan="2">Adjustment range</th></tr> <tr><th colspan="2">Without gauge</th></tr> </thead> <tbody> <tr><td>2 bar; 30 psig; 0.2 MPa</td><td><b>Y</b></td></tr> <tr><td>4 bar; 60 psig; 0.4 MPa</td><td><b>L</b></td></tr> <tr><td>8 bar; 125 psig; 0.8 MPa</td><td><b>N</b></td></tr> <tr><td>17 bar; 250 psig; 1.7 MPa</td><td><b>H</b></td></tr> </tbody> </table>		Adjustment range		Without gauge		2 bar; 30 psig; 0.2 MPa	<b>Y</b>	4 bar; 60 psig; 0.4 MPa	<b>L</b>	8 bar; 125 psig; 0.8 MPa	<b>N</b>	17 bar; 250 psig; 1.7 MPa	<b>H</b>	<table border="1"> <thead> <tr><th colspan="2">Mounting</th></tr> </thead> <tbody> <tr><td>Plastic panel mount nut</td><td><b>P</b></td></tr> </tbody> </table>	Mounting		Plastic panel mount nut	<b>P</b>
Thread type																																														
BSPP	<b>1</b>																																													
BSPT	<b>2</b>																																													
NPT	<b>9</b>																																													
Port size																																														
1/4	<b>2</b>																																													
3/8	<b>3</b>																																													
1/2	<b>4</b>																																													
Relief																																														
Relieving	<b>B</b>																																													
Non relieving	<b>N</b>																																													
Adjustment range																																														
Without gauge																																														
2 bar; 30 psig; 0.2 MPa	<b>Y</b>																																													
4 bar; 60 psig; 0.4 MPa	<b>L</b>																																													
8 bar; 125 psig; 0.8 MPa	<b>N</b>																																													
17 bar; 250 psig; 1.7 MPa	<b>H</b>																																													
Mounting																																														
Plastic panel mount nut	<b>P</b>																																													

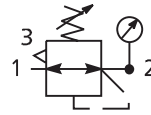
Port size	Description	Order Code =	Flow dm <sup>3</sup> /s (scfm) *	Max bar (psi)	Height mm (Inches)	Width mm (Inches)	Depth mm (Inches)
1/4"	8 bar (125 psi) Relieving	<b>P32HA22BNNP</b>	28 (59)	20 (300)	136 (5.4)	60 (2.36)	60 (2.36)
3/8"	8 bar (125 psi) Relieving	<b>P32HA23BNNP</b>	28 (59)	20 (300)	136 (5.4)	60 (2.36)	60 (2.36)
1/2"	8 bar (125 psi) Relieving	<b>P32HA24BNNP</b>	28 (59)	20 (300)	136 (5.4)	60 (2.36)	60 (2.36)

\* flow with 10 bar (145 psig) inlet pressure, 6.3 bar (91.3 psig) set pressure and 1 bar (14.5 psig) pressure drop.  
 = Standard part numbers shown in bold. For further models refer to Options chart above.

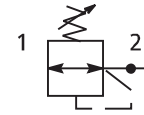
## Standard Regulator P33



## Symbols



Self relieving regulator with gauge



Non relieving regulator

- Integral 1/2 or 3/4 ports (NPT, BSPP & BSPT)
- Robust but lightweight aluminium construction
- Secondary pressure ranges 0-2 bar (0-30 psig), 0-4 bar, (0-60 psig), 0-8 bar (0-125 psig), 0-17 bar (0-250 psig)
- Secondary aspiration plus balanced poppet provides quick response and accurate pressure regulation.
- Relieving & Non-relieving types
- Non-rising knob

## Options:

<b>P 3 3</b>	<b>RA</b>				<b>N</b>		<b>P</b>
<b>Thread type</b>		<b>Port size</b>		<b>Adjustment range</b>			
BSPP	<b>1</b>	1/2	<b>4</b>	<b>With round gauge</b>			
BSPT	<b>2</b>	3/4	<b>6</b>	2 bar; 30 psig; 0.2 MPa	<b>Z</b>		
NPT	<b>9</b>			4 bar; 60 psig; 0.4 MPa	<b>M</b>		
<b>Relief</b>				8 bar; 125 psig; 0.8 MPa	<b>G</b>		
Relieving			<b>B</b>	17 bar; 250 psig; 1.7 MPa	<b>J</b>		
Non relieving			<b>N</b>	<b>Without gauge</b>			
Reverse flow / relieving			<b>R</b>	2 bar; 30 psig; 0.2 MPa	<b>Y</b>		
				4 bar; 60 psig; 0.4 MPa	<b>L</b>		
				8 bar; 125 psig; 0.8 MPa	<b>N</b>		
				17 bar; 250 psig; 1.7 MPa	<b>H</b>		
				<b>Mounting</b>			
				Plastic panel mount nut		<b>P</b>	

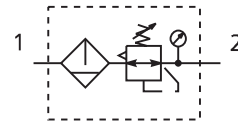
Port size	Description	Order Code =	Flow dm <sup>3</sup> /s (scfm) *	Max bar (psi)	Height mm (Inches)	Width mm (Inches)	Depth mm (Inches)
1/2"	8 bar (125 psi) Relieving	<b>P33RA24BNNP</b>	100 (212)	20 (300)	149 (5.9)	73 (2.9)	73 (2.9)
1/2"	8 bar (125 psi) Relieving + Gauge	<b>P33RA24BNGP</b>	100 (212)	20 (300)	149 (5.9)	73 (2.9)	73 (2.9)
3/4"	8 bar (125 psi) Relieving	<b>P33RA26BNNP</b>	100 (212)	20 (300)	149 (5.9)	73 (2.9)	73 (2.9)
3/4"	8 bar (125 psi) Relieving + Gauge	<b>P33RA26BNGP</b>	100 (212)	20 (300)	149 (5.9)	73 (2.9)	73 (2.9)

\* flow with 10 bar (145 psig) inlet pressure, 6.3 bar (91.3 psig) set pressure and 1 bar (14.5 psig) pressure drop.  
 = Standard part numbers shown in bold. For further models refer to Options chart above.

### Mini Filter / Regulator P31



### Symbols



- Integral 1/4 ports (NPT, BSPP & BSPT)
- High efficiency 5 micron element as standard
- Excellent water removal efficiency
- Robust but lightweight aluminium construction
- Positive bayonet latch to ensure correct & safe fitting
- Secondary pressure ranges 0-2 bar (0-30 psig), 0-4 bar, (0-60 psig), 0-8 bar (0-125 psig),
- Secondary aspiration plus balanced poppet provides quick response and accurate pressure regulation.

### Options:

<b>P 3 1</b>	<b>E A</b>			<b>E</b>				<b>N</b>		<b>P</b>
--------------	------------	--	--	----------	--	--	--	----------	--	----------

Thread type	
BSPP	<b>1</b>
BSPT	<b>2</b>
NPT	<b>9</b>

Port size	
1/8	<b>1</b>
1/4	<b>2</b>

Element	
5µ Element	<b>E</b>

Bowl type	
Poly bowl with bowl guard	<b>G</b>
Metal bowl without sight glass	<b>M</b>

Drain type	
Pulse drain	<b>B</b>
Manual drain	<b>M</b>

Relief	
Relieving	<b>B</b>
Non relieving	<b>N</b>

Adjustment range		
With square gauge	With round gauge	Without gauge
2 bar (0.2 MPa)* <b>2</b>	2 bar (0.2 MPa)* <b>Z</b>	2 bar (0.2 MPa)* <b>Y</b>
4 bar (0.4 MPa)* <b>4</b>	4 bar (0.4 MPa)* <b>M</b>	4 bar (0.4 MPa)* <b>L</b>
8 bar (0.8 MPa)** <b>6</b>	8 bar (0.8 MPa)** <b>G</b>	8 bar (0.8 MPa)** <b>N</b>

\* Unit comes with 0-4 bar gauge  
\*\* Unit comes with 0-10 bar gauge

Port size	Description	Order Code =	Flow dm <sup>3</sup> /s *	Flow (scfm) *	Max bar (psi)	Height mm (Inches)	Width mm (Inches)	Depth mm (Inches)
1/4"	8 bar (125 psi) Relieving - Poly bowl - Manual drain	<b>P31EA22EGMBNTP</b>	14	(30)	10 (150)	164.1 (6.46)	40 (1.58)	64 (2.53)
1/4"	8 bar (125 psi) Relieving - Poly bowl - Pulse drain	<b>P31EA22EGBBNT</b>	14	(30)	10 (150)	164.1 (6.46)	40 (1.58)	64 (2.53)
1/4"	8 bar (125 psi) Relieving - Metal bowl - Manual drain	<b>P31EA22EMMBNTP</b>	14	(30)	17 (250)	164.1 (6.46)	40 (1.58)	64 (2.53)
1/4"	8 bar (125 psi) Relieving - Metal bowl - Pulse drain	<b>P31EA22EMBBNT</b>	14	(30)	17 (250)	164.1 (6.46)	40 (1.58)	64 (2.53)

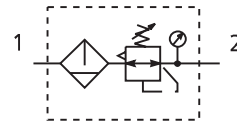
\* flow with 10 bar (145 psig) inlet pressure, 6.3 bar (91.3 psig) set pressure and 1 bar (14.5 psig) pressure drop.  
= Standard part numbers shown in bold. For further models refer to Options chart above.



Compact Filter / Regulator P32



Symbols



- Integral 1/4, 3/8 or 1/2 ports (NPT, BSPP & BSPT)
- High efficiency 5 micron element as standard
- Excellent water removal efficiency
- Robust but lightweight aluminium construction
- Positive bayonet latch to ensure correct & safe fitting
- Secondary pressure ranges 0-2 bar (0-30 psig), 0-4 bar, (0-60 psig), 0-8 bar (0-125 psig), 0-17 bar (0-250 psig)
- Secondary aspiration plus balanced poppet provides quick response and accurate pressure regulation.

Options:

<b>P 3 2</b>	<b>E A</b>			<b>E</b>				<b>N</b>		<b>P</b>
<b>Thread type</b>		<b>Port size</b>		<b>Drain type</b>		<b>Element</b>		<b>Relief</b>		<b>Mounting</b>
BSPP	<b>1</b>	1/4	<b>2</b>	Manual drain	<b>M</b>	5µ Element	<b>E</b>	Relieving	<b>B</b>	Plastic panel mount nut <b>P</b>
BSPT	<b>2</b>	3/8	<b>3</b>	Auto drain	<b>A</b>			Non relieving	<b>N</b>	
NPT	<b>9</b>	1/2	<b>4</b>			<b>Bowl type</b>		<b>Adjustment range</b>		
						Poly bowl with bowl guard	<b>G</b>	<b>With round gauge</b>		
						Metal bowl without sight gauge	<b>M</b>	2 bar; 30 psig; 0.2 MPa		<b>Z</b>
						Metal bowl with sight gauge	<b>S</b>	4 bar; 60 psig; 0.4 MPa		<b>M</b>
								8 bar; 125 psig; 0.8 MPa		<b>G</b>
								17 bar; 250 psig; 1.7 MPa		<b>J</b>
								<b>Without gauge</b>		
								2 bar; 30 psig; 0.2 MPa		<b>Y</b>
								4 bar; 60 psig; 0.4 MPa		<b>L</b>
								8 bar; 125 psig; 0.8 MPa		<b>N</b>
								17 bar; 250 psig; 1.7 MPa		<b>H</b>

Port size	Description	Order Code =	Flow dm <sup>3</sup> /s *	(scfm) *	Max bar	(psi)	Height mm (Inches)	Width mm (Inches)	Depth mm (Inches)
1/4"	8 bar (125 psi) Relieving - Poly bowl - Manual drain	<b>P32EA22EGMBNGP</b>	42	(89)	10	(150)	254 (10.0)	60 (2.36)	60 (2.36)
1/4"	8 bar (125 psi) Relieving - Poly bowl - Auto drain	<b>P32EA22EGABNGP</b>	42	(89)	10	(150)	248 (9.76)	60 (2.36)	60 (2.36)
1/4"	8 bar (125 psi) Relieving - Metal bowl sight glass - Manual drain	<b>P32EA22ESMBNGP</b>	42	(89)	17	(250)	245 (9.66)	60 (2.36)	60 (2.36)
1/4"	8 bar (125 psi) Relieving - Metal bowl sight glass - Auto drain	<b>P32EA22ESABNGP</b>	42	(89)	17	(250)	248 (9.76)	60 (2.36)	95 (3.74)
3/8"	8 bar (125 psi) Relieving - Poly bowl - Manual drain	<b>P32EA23EGMBNGP</b>	58	(123)	10	(150)	254 (10.0)	60 (2.36)	60 (2.36)
3/8"	8 bar (125 psi) Relieving - Poly bowl - Auto drain	<b>P32EA23EGABNGP</b>	58	(123)	10	(150)	248 (9.76)	60 (2.36)	60 (2.36)
3/8"	8 bar (125 psi) Relieving - Metal bowl sight glass - Manual drain	<b>P32EA23ESMBNGP</b>	58	(123)	17	(250)	245 (9.66)	60 (2.36)	60 (2.36)
3/8"	8 bar (125 psi) Relieving - Metal bowl sight glass - Auto drain	<b>P32EA23ESABNGP</b>	58	(123)	17	(250)	248 (9.76)	60 (2.36)	95 (3.74)
1/2"	8 bar (125 psi) Relieving - Poly bowl - Manual drain	<b>P32EA24EGMBNGP</b>	64	(136)	10	(150)	245 (9.66)	60 (2.36)	95 (3.74)
1/2"	8 bar (125 psi) Relieving - Poly bowl - Auto drain	<b>P32EA24EGABNGP</b>	64	(136)	10	(150)	248 (9.76)	60 (2.36)	95 (3.74)
1/2"	8 bar (125 psi) Relieving - Metal bowl sight glass - Manual drain	<b>P32EA24ESMBNGP</b>	64	(136)	17	(250)	254 (10.0)	60 (2.36)	60 (2.36)
1/2"	8 bar (125 psi) Relieving - Metal bowl sight glass - Auto drain	<b>P32EA24ESABNGP</b>	64	(136)	17	(250)	248 (9.76)	60 (2.36)	60 (2.36)

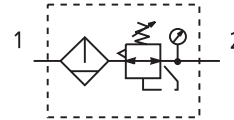
\* flow with 10 bar (145 psig) inlet pressure, 6.3 bar (91.3 psig) set pressure and 1 bar (14.5 psig) pressure drop.  
 = Standard part numbers shown in bold. For further models refer to Options chart above.



### Standard Filter / Regulator P33



### Symbols



- Integral 1/2 or 3/4 ports (NPT, BSPP & BSPT)
- High efficiency 5 micron element as standard
- Excellent water removal efficiency
- Robust but lightweight aluminium construction
- Positive bayonet latch to ensure correct & safe fitting
- Secondary pressure ranges 0-2 bar (0-30 psig), 0-4 bar, (0-60 psig), 0-8 bar (0-125 psig), 0-17 bar (0-250 psig)
- Secondary aspiration plus balanced poppet provides quick response and accurate pressure regulation.

### Options:

<b>P 33</b>	<b>E A</b>			<b>E</b>				<b>N</b>		<b>P</b>
<b>Thread type</b>		<b>Port size</b>		<b>Drain type</b>		<b>Relief</b>		<b>Adjustment range</b>		<b>Mounting</b>
BSPP	<b>1</b>	1/2	<b>4</b>	Manual drain	<b>M</b>	Relieving	<b>B</b>	<b>With round gauge</b>		Plastic panel mount nut
BSPT	<b>2</b>	3/4	<b>6</b>	Auto drain	<b>A</b>	Non relieving	<b>N</b>	2 bar; 30 psi; 0.2 MPa	<b>Z</b>	
NPT	<b>9</b>							4 bar; 60 psi; 0.4 MPa	<b>M</b>	
		<b>Element</b>						8 bar; 125 psi; 0.8 MPa	<b>G</b>	
		5µ Element	<b>E</b>					17 bar; 250 psi; 1.7 MPa	<b>J</b>	
		<b>Bowl type</b>						<b>Without gauge</b>		
		Poly bowl with bowl guard	<b>G</b>					2 bar; 30 psi; 0.2 MPa	<b>Y</b>	
		Metal bowl without sight gauge	<b>M</b>					4 bar; 60 psi; 0.4 MPa	<b>L</b>	
		Metal bowl with sight gauge	<b>S</b>					8 bar; 125 psi; 0.8 MPa	<b>N</b>	
								17 bar; 250 psi; 1.7 MPa	<b>H</b>	

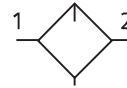
Port size	Description	Order Code =	Flow dm <sup>3</sup> /s *	(scfm) *	Max bar	(psi)	Height mm (Inches)	Width mm (Inches)	Depth mm (Inches)
1/2"	8 bar (125 psi) Relieving - Poly bowl - Manual drain	<b>P33EA24EGMBNGP</b>	90	(191)	10	(150)	282 (11.0)	73 (2.9)	73 (2.9)
1/2"	8 bar (125 psi) Relieving - Poly bowl - Auto drain	<b>P33EA24EGABNGP</b>	90	(191)	10	(150)	291 (11.44)	73 (2.9)	73 (2.9)
1/2"	8 bar (125 psi) Relieving - Metal bowl - Manual drain	<b>P33EA24ESMBNGP</b>	90	(191)	17	(250)	282 (11.0)	73 (2.9)	73 (2.9)
1/2"	8 bar (125 psi) Relieving - Metal bowl - Auto drain	<b>P33EA24ESABNGP</b>	90	(191)	17	(250)	291 (11.44)	73 (2.9)	108 (4.27)
3/4"	8 bar (125 psi) Relieving - Poly bowl - Manual drain	<b>P33EA26EGMBNGP</b>	98	(208)	10	(150)	282 (11.0)	73 (2.9)	108 (4.27)
3/4"	8 bar (125 psi) Relieving - Poly bowl - Auto drain	<b>P33EA26EGABNGP</b>	98	(208)	10	(150)	291 (11.44)	73 (2.9)	108 (4.27)
3/4"	8 bar (125 psi) Relieving - Metal bowl - Manual drain	<b>P33EA26ESMBNGP</b>	98	(208)	17	(250)	282 (11.00)	73 (2.9)	73 (2.9)
3/4"	8 bar (125 psi) Relieving - Metal bowl - Auto drain	<b>P33EA26ESABNGP</b>	98	(208)	17	(250)	291 (11.44)	73 (2.9)	73 (2.9)

\* flow with 10 bar (145 psig) inlet pressure, 6.3 bar (91.3 psig) set pressure and 1 bar (14.5 psig) pressure drop.  
 = Standard part numbers shown in bold. For further models refer to Options chart above.

Mini Lubricator - P31



Symbols



- Integral 1/4 ports (NPT, BSPP & BSPT)
- Robust but lightweight aluminium construction
- Proportional oil delivery over a wide range of air flows.
- Finger tip ratchet control for precise oil drip rate adjustment

Options:

<b>P 3 1</b>	<b>LA</b>			<b>L</b>		<b>N</b>	<b>N</b>
<b>Thread type</b>		<b>Port size</b>		<b>Bowl type</b>		<b>Mounting</b>	
BSPP	<b>1</b>	1/8	<b>1</b>	Poly bowl with bowl guard	<b>G</b>	No bracket	<b>N</b>
BSPT	<b>2</b>	1/4	<b>2</b>	Metal bowl without sight glass	<b>M</b>		
NPT	<b>9</b>						
<b>Type</b>				<b>Drain type</b>			
Oil mist standard sight dome				<b>L</b>			
				No drain; closed end			
				<b>N</b>			

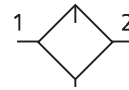
Port size	Description	Order Code =	Flow dm <sup>3</sup> /s (scfm) *	Max bar (psi)	Height mm (Inches)	Width mm (Inches)	Depth mm (Inches)
1/4"	Poly bowl - No drain	<b>P31LA22LGNN</b>	13 (28)	10 (150)	147.5 (5.8)	40 (1.58)	42.7 (1.68)
1/4"	Metal bowl - No drain	<b>P31LA22LMNN</b>	13 (28)	17 (250)	147.5 (5.8)	40 (1.58)	42.7 (1.68)

\* flow with 6.3 bar (91.3 psig) inlet pressure and 0.34 (4.9 psig) pressure drop.  
 = Standard part numbers shown in bold. For further models refer to Options chart above.

## Compact Lubricator - P32



### Symbols



- Integral 1/4, 3/8 or 1/2 ports (NPT, BSPP & BSPT)
- Robust but lightweight aluminium construction
- Proportional oil delivery over a wide range of air flows.
- Finger tip ratchet control for precise oil drip rate adjustment
- Fill from top under system pressure

### Options:

<b>P 3 2</b>	<b>LA</b>			<b>L</b>		<b>N</b>	<b>N</b>
<b>Thread type</b>		<b>Port size</b>		<b>Bowl type</b>		<b>Mounting</b>	
BSPP	<b>1</b>	1/4	<b>2</b>	Poly bowl with bowl guard	<b>G</b>	No bracket <b>N</b>	
BSPT	<b>2</b>	3/8	<b>3</b>	Metal bowl with sight glass	<b>S</b>		
NPT	<b>9</b>	1/2	<b>4</b>				
<b>Type</b>				<b>Drain type</b>			
Oil mist standard sight dome <b>L</b>				No drain; closed end <b>N</b>			

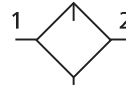
Port size	Description	Order Code =	Flow dm <sup>3</sup> /s (scfm) *	Max bar (psi)	Height mm (Inches)	Width mm (Inches)	Depth mm (Inches)
1/4"	Poly bowl - No drain	<b>P32LA22LGNN</b>	18 (38)	10 (150)	211 (8.3)	60 (2.36)	60 (2.36)
1/4"	Metal bowl - No drain	<b>P32LA22LSNN</b>	18 (38)	17 (250)	211 (8.3)	60 (2.36)	60 (2.36)
3/8"	Poly bowl - No drain	<b>P32LA23LGNN</b>	32 (68)	10 (150)	211 (8.3)	60 (2.36)	60 (2.36)
3/8"	Metal bowl - No drain	<b>P32LA23LSNN</b>	32 (68)	17 (250)	211 (8.3)	60 (2.36)	60 (2.36)
1/2"	Poly bowl - No drain	<b>P32LA24LGNN</b>	47 (100)	10 (150)	211 (8.3)	60 (2.36)	60 (2.36)
1/2"	Metal bowl - No drain	<b>P32LA24LSNN</b>	47 (100)	17 (250)	211 (8.3)	60 (2.36)	60 (2.36)

\* flow with 6.3 bar (91.3 psig) inlet pressure and 0.34 (4.9 psig) pressure drop.  
 = Standard part numbers shown in bold. For further models refer to Options chart above.

## Standard Lubricator - P33

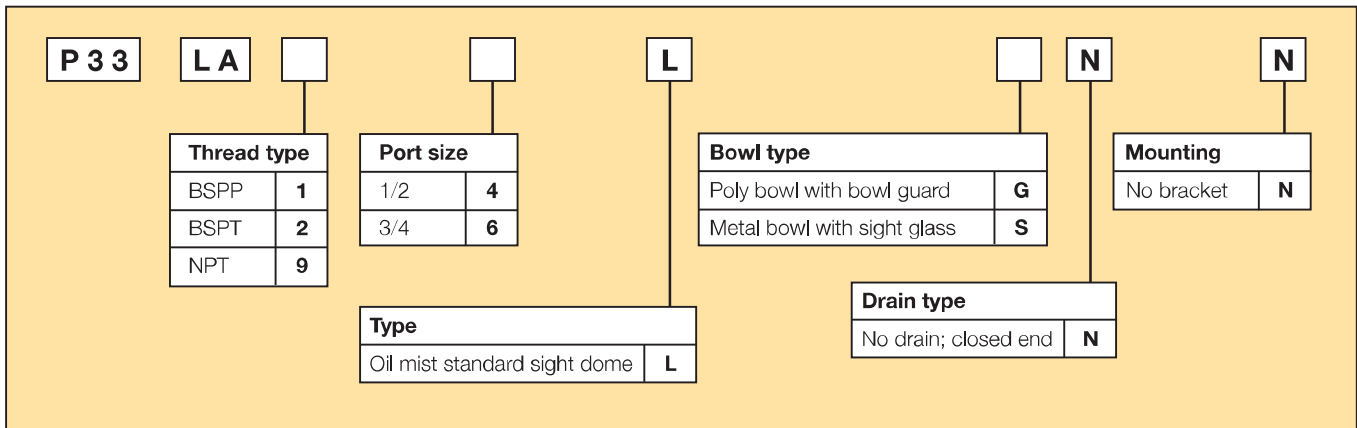


### Symbols



- Integral 1/2 or 3/4 ports (NPT, BSPP & BSPT)
- Robust but lightweight aluminium construction
- Proportional oil delivery over a wide range of air flows.
- Finger tip ratchet control for precise oil drip rate adjustment
- Fill from top under system pressure

### Options:



Port size	Description	Order Code <sup>≠</sup>	Flow dm <sup>3</sup> /s (scfm) * *	Max bar (psi)	Height mm (Inches)	Width mm (Inches)	Depth mm (Inches)
1/2"	Poly bowl - No drain	<b>P33LA24LGNN</b>	48 (102)	10 (150)	237.6 (9.35)	73 (2.9)	73 (2.9)
1/2"	Metal bowl - No drain	<b>P33LA24LSNN</b>	48 (102)	17 (250)	237.6 (9.35)	73 (2.9)	73 (2.9)
3/4"	Poly bowl - No drain	<b>P33LA26LGNN</b>	68 (144)	10 (150)	237.6 (9.35)	73 (2.9)	73 (2.9)
3/4"	Metal bowl - No drain	<b>P33LA26LSNN</b>	68 (144)	17 (250)	237.6 (9.35)	73 (2.9)	73 (2.9)

\* flow with 6.3 bar (91.3 psig) inlet pressure and 0.34 (4.9 psig) pressure drop.  
 ≠ Standard part numbers shown in bold. For further models refer to Options chart above.

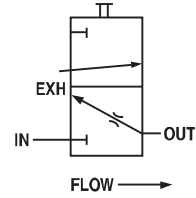








## Safety Lockout Valves



### Features

- The Safety Lockout valve is a manually operated, slide-type, 2-position, 3-way valve. In the closed position, downstream air pressure is exhausted to atmosphere.
- The valve slide can be locked in the closed position with a customer supplied padlock.
- The Safety Lockout valves conform to OSHA #29 CFR part 1910 – control of hazardous energy source (lockout / tagout).
- Left to right flow — orange slide
- Right to left — yellow slide

### Ordering Information

Model type	Port size	Thread type	Flow dm <sup>3</sup> /s (scfm)	Safety Lockout Valve Flow from <b>left to right</b>	Safety Lockout Valve Flow from <b>right to left</b>
<b>P31</b>	1/4"	BSPP	47.2 (100)	<b>P31VA22LSAN</b>	<b>P31VA22LSBN</b>
<b>P32</b>	1/4"	BSPP	66.5 (141)	<b>P32VA22LSAN</b>	<b>P32VA22LSBN</b>
	3/8"	BSPP	101.9 (216)	<b>P32VA23LSAN</b>	<b>P32VA23LSBN</b>
	1/2"	BSPP	128.4 (272)	<b>P32VA24LSAN</b>	<b>P32VA24LSBN</b>
<b>P33</b>	1/2"	BSPP	136.9 (290)	<b>P33VA24LSAN</b>	<b>P33VA24LSBN</b>
	3/4"	NPT	141.6 (300)	<b>P33VA26LSAN</b>	<b>P33VA26LSBN</b>

For thread type: BSPP **1**  
 BSPT **2**  
 NPT **9**

### Materials of Construction

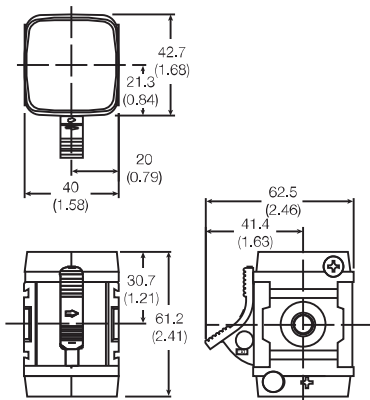
Body	Zinc
Blade	Acetal
Seals	Nitrile

### Specifications

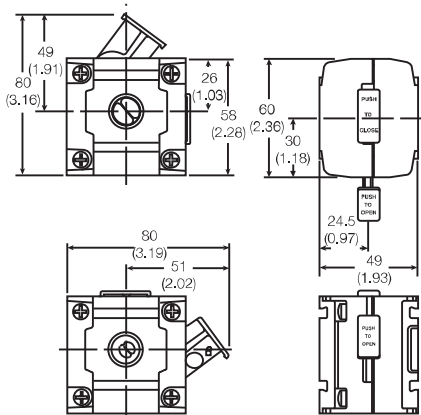
Max Operating Temperature	65.5°C (150°F)	
Max Supply Pressure	10 bar (150 psig)	
Port Size	BSPP / BSPT / NPT	1/8, 1/4, 3/8, 1/2, 3/4
Weight	<b>P31:</b>	0.30 kg (0.66 lbs)
	<b>P32:</b>	0.34 kg (0.74 lbs)
	<b>P33:</b>	0.41 kg (0.90 lbs)

### Dimensions

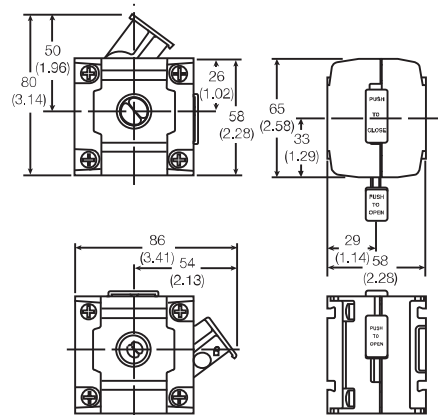
#### P31



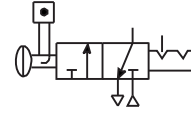
#### P32



#### P33



## Modular Ball Valve



### Features

The Modular Ball Valves provide shut off line pressure with a non-sticking 90° turn handle to prevent unauthorised adjustment. When the inlet pressure is turned off the downstream air pressure vents through the exhaust port. The padlock slide may be assembled on either side. It is recommended that this is assembled after mounting.

**Note:** This padlock slide is a permanent assembly and may not be removed later

### Ordering Information

Model type	Port size	Thread type	Flow dm <sup>3</sup> /s (scfm)	Modular Ball Valve Flow from left to right
<b>P31</b>	1/4"	BSPP	20 (42.4)	<b>P31VA22LBNN</b>
<b>P32</b>	3/8"	BSPP	90 (190.7)	<b>P32VA23LBNN</b>
	1/2"	BSPP	122 (258.5)	<b>P32VA24LBNN</b>
<b>P33</b>	1/2"	BSPP	265 (561.5)	<b>P33VA24LBNN</b>
	3/4"	BSPP	320 (678)	<b>P33VA26LBNN</b>

For thread type: BSPP **1**  
 BSPT **2**  
 NPT **9**

### Specifications

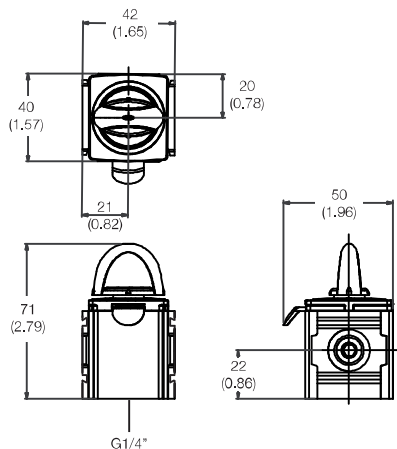
Max Supply Pressure	17 bar (245 psig)	
Port Size	BSPP / BSPT / NPT	1/4, 3/8, 1/2, 3/4
Weight	<b>P31:</b>	0.19 kg (0.41 lbs)
	<b>P32:</b>	0.47 kg (1.00 lbs)
	<b>P33:</b>	0.80 kg (1.70 lbs)

### Materials of Construction

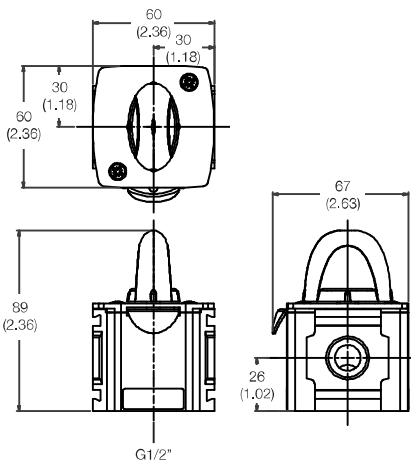
Body	Aluminium	
Seals	PTFE	
Ball	<b>P31</b>	Brass
	<b>P32 / P33</b>	Chrome plated brass

### Dimensions

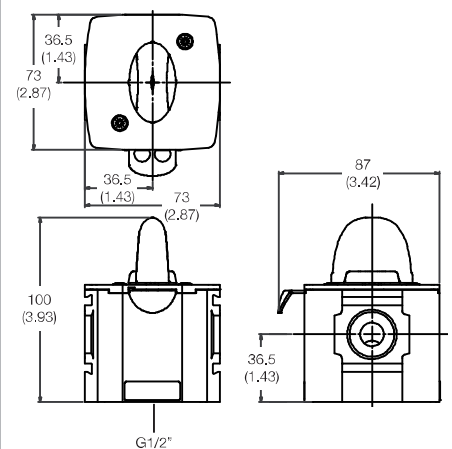
#### P31



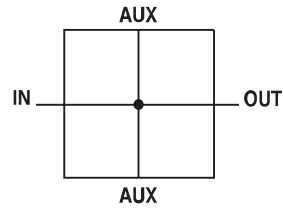
#### P32



#### P33



## Manifold Blocks



### Features

- Available in 1/4, 1/2 & 3/4 threaded inlet / outlet ports
- Two additional top and bottom auxiliary ports standard
- Can be mounted anywhere in the FRL system
- Includes one pipe plug

### Ordering Information

Model Type	In / Out Port Size	Auxiliary Port Size Top	Auxiliary Port Size Bottom	Thread Type	Order Code
<b>P31</b>	1/4"	1/4"	1/4"	BSPP	<b>P31MA22022N</b>
<b>P32/P33</b>	3/4"	1/4"	1/2"	BSPP	<b>P33MA26024N</b>

For thread type: BSPP **1**  
 BSPT **2**  
 NPT **9**

### Specifications

Max Operating Temperature	65.5°C (150°F)	
Max Supply Pressure	20.7 bar (300 psig)	
Port Size (In / Out)	<b>P31:</b>	1/4"
BSPP / BSPT / NPT	<b>P33:</b>	3/4"
Auxiliary Port Size - Top	<b>P31:</b>	1/4"
BSPP / BSPT / NPT	<b>P33:</b>	1/4"
Auxiliary Port Size - Bottom	<b>P31:</b>	1/4"
BSPP / BSPT / NPT	<b>P33:</b>	1/2"
Weight	<b>P31:</b>	0.19 kg (0.26 lbs)
	<b>P33:</b>	0.34 kg (0.42 lbs)

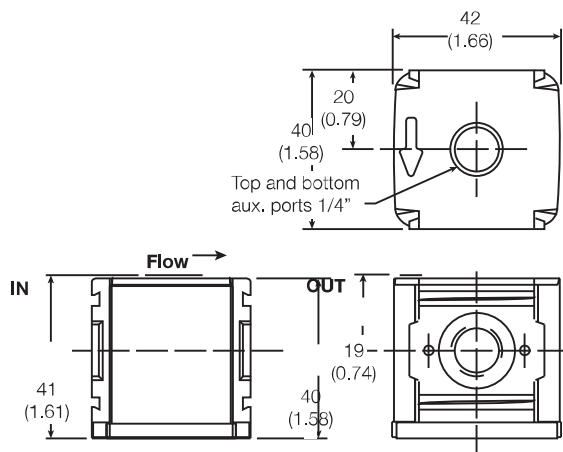
### Materials of Construction

Body Aluminium

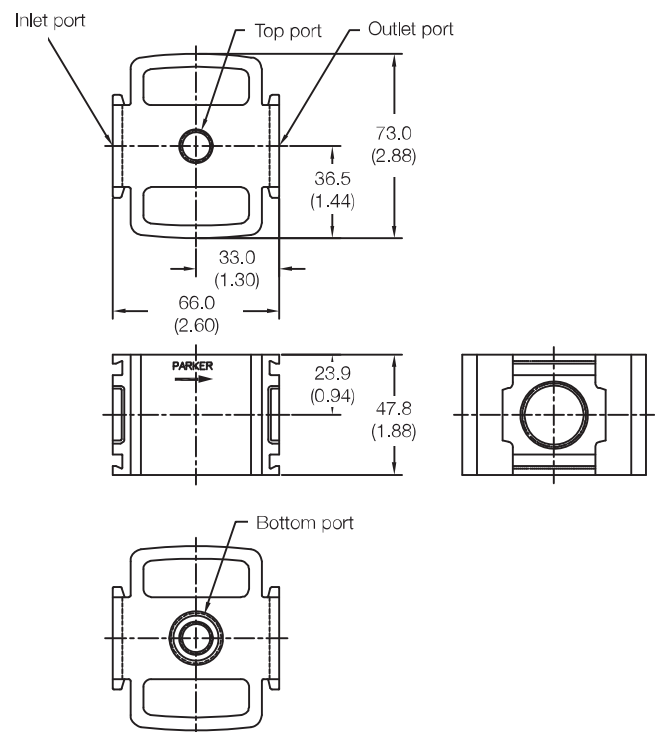
**Note:**  
 P33 unit used for both P32 & P33 series

### Dimensions

#### P31

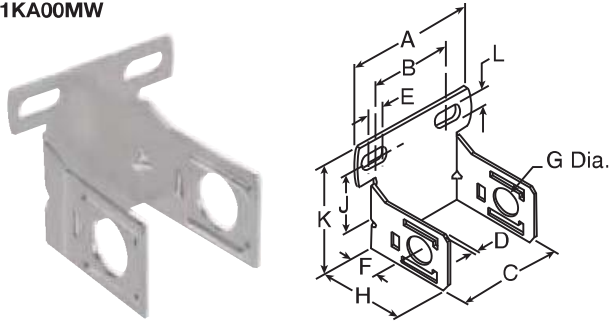


#### P32 / P33

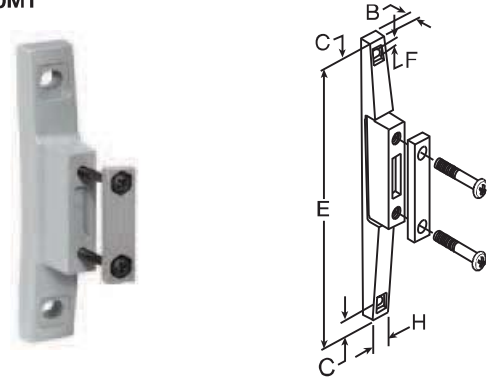


**Accessories - P31 Series**

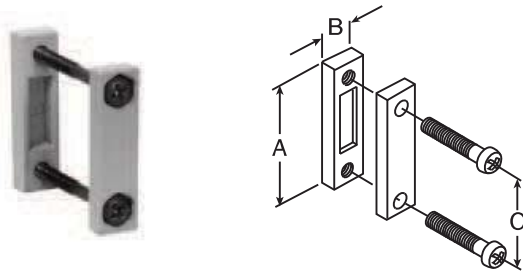
**C-Bracket**  
(Fits to filter and lubricator body)  
P31KA00MW



**T-Bracket w/ Body Connector**  
P31KA00MT



**Body Connector**  
(O-ring not shown)  
P31KA00CB



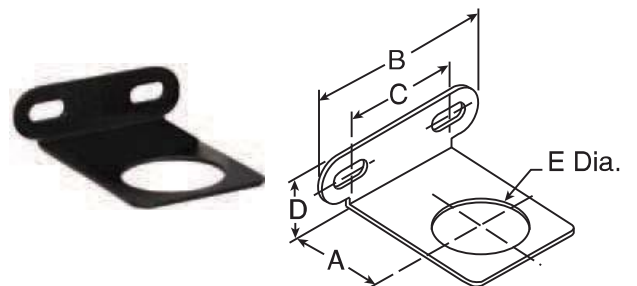
**Port Block Kit**  
1/8 NPT..... P31KA91CP  
1/4 NPT ..... P31KA92CP  
3/8 NPT..... P31KA93CP  
G 1/8..... P31KA11CP  
G 1/4 ..... P31KA12CP  
G 3/8..... P31KA13CP



**Port Block Kit w/ T-Bracket**  
1/8 NPT..... P31KA91CN  
1/4 NPT ..... P31KA92CN  
3/8 NPT..... P31KA93CN  
G 1/8..... P31KA11CN  
G 1/4 ..... P31KA12CN  
G 3/8..... P31KA13CN



**Angle Bracket**  
(Fits to regulator and filter/regulator body)  
P31KA00MR

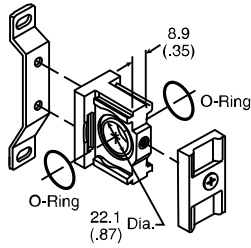


**Angle Bracket**

Accessories - P32 Series

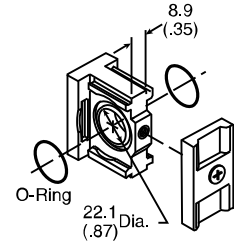
T-Bracket w/ Body Connector

P32KA00MT



Body Connector

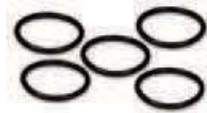
P32KA00CB



Body Connector

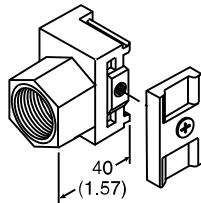
'O' ring Kit

Pack of 5 ..... P32KA00CY



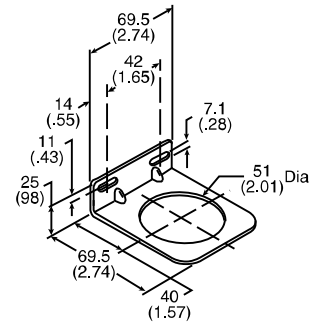
Port Block Kit

- 1/4 NPT.....P32KA92CP
- 3/8 NPT.....P32KA93CP
- 1/2 NPT.....P32KA94CP
- 3/4 NPT.....P32KA96CP
- G 1/4 .....P32KA12CP
- G 3/8.....P32KA13CP
- G 1/2.....P32KA14CP
- G 3/4.....P32KA16CP



Angle Bracket

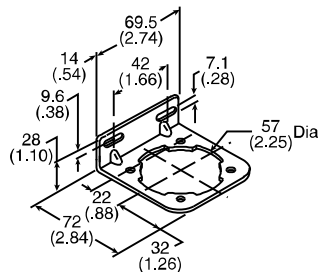
P32KA00MR



L-Bracket

(Fits to filter and lubricator body)

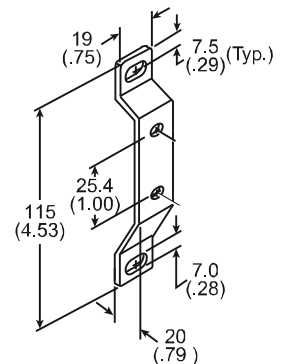
P32KA00ML



T-Bracket

(fits to body connector or port block)

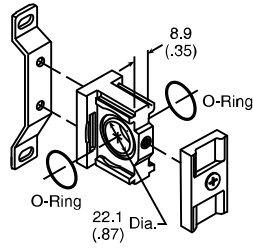
P32KA00MB



Accessories - P33 Series

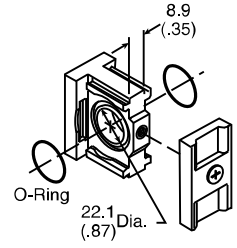
T-Bracket w/ Body Connector

P32KA00MT



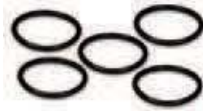
Body Connector

P32KA00CB



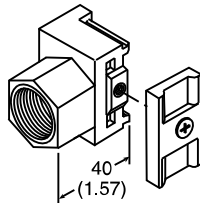
Body Connector 'O' ring Kit

Pack of 5 ..... P32KA00CY



Port Block Kit

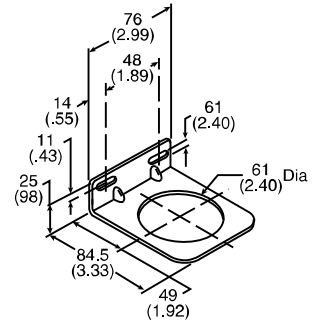
- 1/4 NPT.....P32KA92CP
- 3/8 NPT.....P32KA93CP
- 1/2 NPT.....P32KA94CP
- 3/4 NPT.....P32KA96CP
- G 1/4 .....P32KA12CP
- G 3/8.....P32KA13CP
- G 1/2.....P32KA14CP
- G 3/4.....P32KA16CP



Angle Bracket

(Fits to regulator and filter/regulator bonnet)

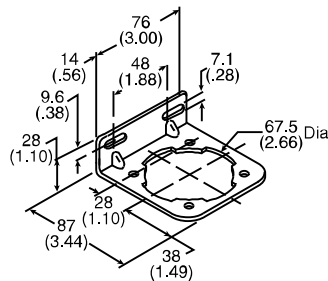
P33KA00MR



L-Bracket

(Fits to filter and lubricator body)

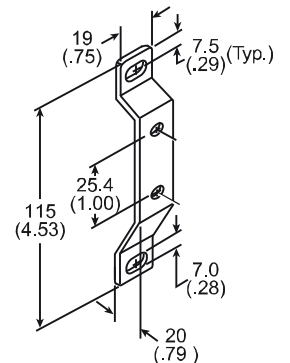
P33KA00ML

















T-Bracket

(fits to body connector or port block)

P32KA00MB

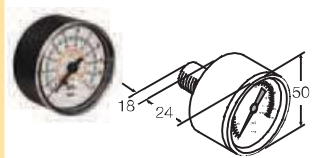
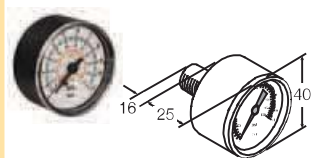
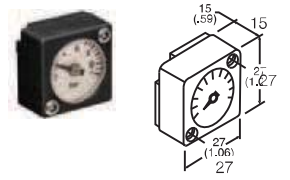


**Accessories Kits**

Series	Description	Connection	Order Code	
P31 P32 P33	Panel Mount Nut (Plastic)		<b>P31KA00MP P32KA00MP P33KA00MP</b>	
P31 P32 P33	Panel Mount Nut (Aluminium)		<b>P31KA00MM P32KA00MM P33KA00MM</b>	
P31 P32 P33	5µ Element Kit		<b>P31KA00ESE P32KA00ESE P33KA00ESE</b>	
P31 P32 P33	1µ Element Kit		<b>P31KA00ES9 P32KA00ES9 P33KA00ES9</b>	
P31 P32 P33	0.01µ Element Kit		<b>P31KA00ESC P32KA00ESC P33KA00ESC</b>	
P31 P32 P33	Adsorber Element Kit		<b>P31KA00ESA P32KA00ESA P33KA00ESA</b>	
P32 / P33	Auto Drain Kit		<b>P32KA00DA</b>	
P32 / P33	Differential Pressure Indicator Kit		<b>P32KA00RQ</b>	
P31 P32 P33	Plastic Bowl with Bowl Guard & Manual Drain		<b>P31KA00BGM P32KA00BGM P33KA00BGM</b>	
P31	Plastic Bowl with Bowl Guard & Pulse Drain		<b>P31KA00BGB</b>	
P32 P33	Plastic Bowl with Bowl Guard & Auto Drain		<b>P32KA00BGA P33KA00BGA</b>	
P31	Metal Bowl without Sight Gauge & Pulse Drain		<b>P31KA00BMB</b>	
P32 P33	Metal Bowl with Sight Gauge & Manual Drain		<b>P32KA00BSM P33KA00BSM</b>	
P32 P33	Metal Bowl with Sight Gauge & Auto Drain		<b>P32KA00BSA P33KA00BSA</b>	
P31 P32 P33	Lubricator - Plastic Bowl with Bowl Guard & Close End		<b>P31KA00BGN P32KA00BGN P33KA00BGN</b>	
P31 P32 P33	Lubricator - Metal Bowl Without Sight Gauge, No Drain Lubricator - Metal Bowl With Sight Gauge, No Drain Lubricator - Metal Bowl With Sight Gauge, No Drain		<b>P31KA00BMN P32KA00BSN P33KA00BSN</b>	
P31 P32 P33	Regulator - Relieving Repair Kit		<b>P31KA00RB P32KA00RB P33KA00RB</b>	
P31 P32 P33	Regulator - Non Relieving Repair Kit		<b>P31KA00RC P32KA00RC P33KA00RC</b>	

**Accessories Kits**

Series	Description	Connection	Order Code
P31 P32 P33	Regulator - Main Adjusting Spring 0-2 bar (0-30 psig) Kit		<b>P31KA00PR</b> <b>P32KA00PR</b> <b>P33KA00PR</b>
P31 P32 P33	Regulator - Main Adjusting Spring 0-4.1 bar (0-60 psig) Kit		<b>P31KA00PS</b> <b>P32KA00PS</b> <b>P33KA00PS</b>
P31 P32 P33	Regulator - Main Adjusting Spring 0-8.6 bar (0-125 psig) Kit		<b>P31KA00PT</b> <b>P32KA00PT</b> <b>P33KA00PT</b>
P32 P33	Regulator - Main Adjusting Spring 0-17 bar (0-250 psig) Kit		<b>P32KA00PV</b> <b>P33KA00PV</b>
P31	Square Flush Mounting Gauge Kit	0-0,4 Mpa 0-1,1 Mpa 0-4,1 bar 0-11 bar 0-60 psig 0-150 psig	<b>K4511SCR04M</b> <b>K4511SCR11M</b> <b>K4511SCR04B</b> <b>K4511SCR11B</b> <b>K4511SCR060</b> <b>K4511SCR150</b>
P31	40mm Round Gauge	0-2 bar/0-0.2 Mpa 0-4.1 bar/0-0.4 Mpa 0-11 bar/0-1.1 Mpa	1/8" 1/8" 1/8" <b>K4515R1402B</b> <b>K4515R1404B</b> <b>K4515R1411B</b>
P32 / P33	50mm Round Gauge	0-2 bar/0-0.2 Mpa/0-30 psig 0-4.1 bar/0-0.4 Mpa/0-60 psig 0-11 bar/0-1.1 Mpa/0-160 psig 0-20 bar/0-2 Mpa/0-300 psig	1/4" 1/4" 1/4" 1/4" <b>K4520R1402B</b> <b>K4520R1404B</b> <b>K4520R1411B</b> <b>K4520R1420B</b>







## Technical Information

### Working medium

Compressed air or inert gasses, filtered to 40µ.

### Supply pressure

Max. Operating Pressure:  
 2 bar unit: ..... 3 bar (43.5 psig)  
 10 bar unit: ..... 10.5 bar (152 psig)  
 Min. Operating Pressure ..... P2 Pressure + 0.5 bar (7.3 psig)

### Pressure control range

Available in three pressure ranges, 0-2 bar (0-29 psig), 0-7 bar (0-101.5 psig) or 0-10 bar (0-145 psig). Pressure range can be changed through the software at all times. (parameter 19)

### Temperature range

0°C up to +50°C (32°F up to 122°F)

### Weights:

P31P = 0.291 kg (0.64 lbs)  
 P32P = 0.645 kg (1.42 lbs)

### Air consumption

No consumption in stable regulated situation.

### Display

The regulator is provided with a digital display, indicating the output pressure, either in bar or psig. The factory setting is as indicated on the label, can be changed through to software at all times (parameter 14)

### Supply voltage

24 VDC +/- 10%

### Power consumption

Max. 1.1W with unloaded signal outputs

### Control signals

The electronic pressure regulator can be externally controlled through an analogue control signal of either 0-10V or 4-20mA. (parameter 4).

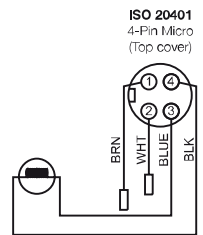
### Output signals

As soon as the output pressure is within the signal band a signal is given of 24VDC, PNP Ri = 1 kOhm. Outside the signal band this connection is 0V.

### Connections

#### (In case of output signal (Option D))

Central M12 connector 4-pole



The electrical connections are as follows:

Pin No.	Function	Color
1	24 V Supply	Brown
2	0 to 10 V Control Signal Ri = 100k Ω 4 to 20mA Control Signal Ri = 500k Ω	White
3	0 V (GND) Supply	Blue
4	24 V Alarm Output Signal	Black

## Schematic

