

Air service units filters, regulators and lubricators



Air service units

Legris offers an extensive range of filters, regulators and lubricators, including individual units and combinations.



Filters

- eliminate dust and coagulation from compressed air
- series standard and mini
- drain: manual as a standard, semi automatic as an option
- filter element: 5 μ as a standard, 40 μ as an option
- high quality bowl designed for long service life

Regulators

- allow easy adjustment of air pressure
- series standard and mini
- 0,1% accuracy of pressure control
- can be installed in any position
- technology: piston type regulation



Lubricators

- fog style lubrication to extend life of equipment
- series standard and mini
- refilling of oil without stopping the air line
- easy adjustment of oil delivery volume

Spare parts

- pressure gauges
- sintered bronze filter elements
- filter bowls and lubricator bowls
- spacer blocks

Legris can also provide stainless steel air service units. Please, do not hesitate to consult us.

Technical specification

Suitable fluid: compressed air

Working pressure:

Series standard with polycarbonate bowl (standard) : 0.5 to 12 bar.

Series standard with anti alkali & acid bowl (optional) : 0.5 to 15 bar.

Series standard with aluminium bowl (optional): 0.5 to 16 bar.

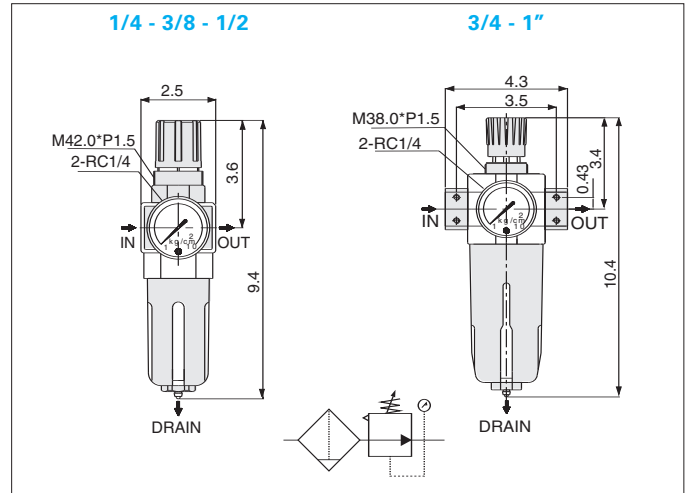
Working temperature: - 10° to + 60°C

Constituent materials:

- body: aluminium die-cast (series mini: polycarbonate)

Thread type: BSP parallel

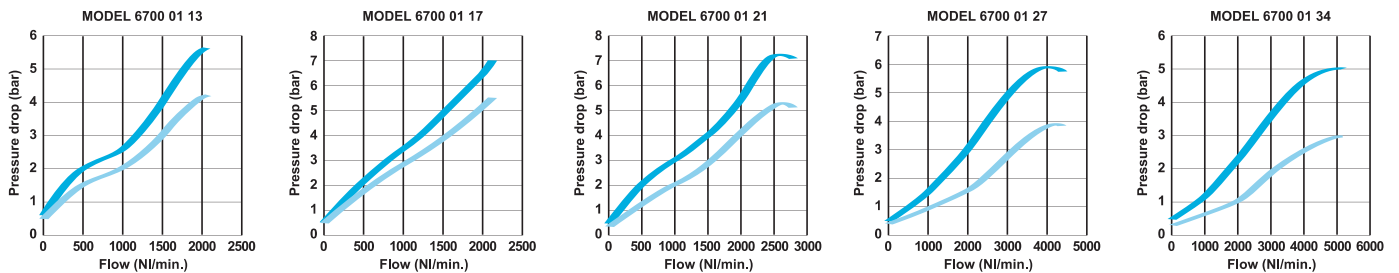
6700 Filter / Regulator 1 unit



Specification

| Threaded port (BSPP) | 1/4 | 3/8 | 1/2 | 3/4 | 1" |
|----------------------------|--|-------|-------|-------|-------|
| Maximum flow rate (NI/min) | 2100 | 2130 | 2750 | 8000 | 8500 |
| Filter bowl capacity (cc) | 105 | 105 | 105 | 210 | 210 |
| Lubricator oil | ISO – VG32 recommended (or equivalent) | | | | |
| Weight (kg) | 0,930 | 0,930 | 0,930 | 1,360 | 1,360 |

Flow charts



| Port | Drain | Filter Micron | | |
|------|-----------|---------------|--|---------------------|
| 1/4 | Manual | 5μ | | 6700 01 13 Standard |
| 1/4 | Manual | 40μ | | 6700 41 13 Option |
| 1/4 | Semi Auto | 5μ | | 6700 03 13 Option |
| 1/4 | Semi Auto | 40μ | | 6700 43 13 Option |
| 3/8 | Manual | 5μ | | 6700 01 17 Standard |
| 3/8 | Manual | 40μ | | 6700 41 17 Option |
| 3/8 | Semi Auto | 5μ | | 6700 03 17 Option |
| 3/8 | Semi Auto | 40μ | | 6700 43 17 Option |
| 1/2 | Manual | 5μ | | 6700 01 21 Standard |
| 1/2 | Manual | 40μ | | 6700 41 21 Option |
| 1/2 | Semi Auto | 5μ | | 6700 03 21 Option |
| 1/2 | Semi Auto | 40μ | | 6700 43 21 Option |

| Port | Drain | Filter Micron | | |
|------|-----------|---------------|--|---------------------|
| 3/4 | Manual | 5μ | | 6700 01 27 Standard |
| 3/4 | Manual | 40μ | | 6700 41 27 Option |
| 3/4 | Semi Auto | 5μ | | 6700 03 27 Option |
| 3/4 | Semi Auto | 40μ | | 6700 43 27 Option |
| 1" | Manual | 5μ | | 6700 01 34 Standard |
| 1" | Manual | 40μ | | 6700 41 34 Option |
| 1" | Semi Auto | 5μ | | 6700 03 34 Option |
| 1" | Semi Auto | 40μ | | 6700 43 34 Option |

Also available on request: threaded ports 1" 1/2 and 2"

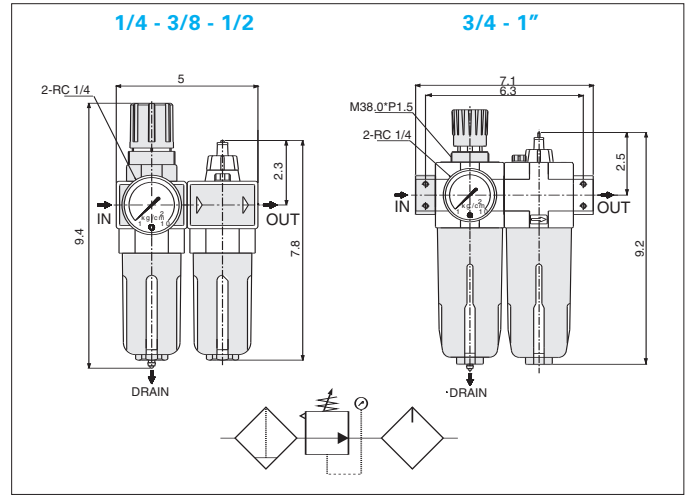
Ready to be mounted

The products are delivered with following accessories:

- 1 gauge
- 1 bracket (sizes 1/4, 3/8, 1/2) or 2 brackets (sizes 3/4, 1").
- 4 screws
- 1 plug



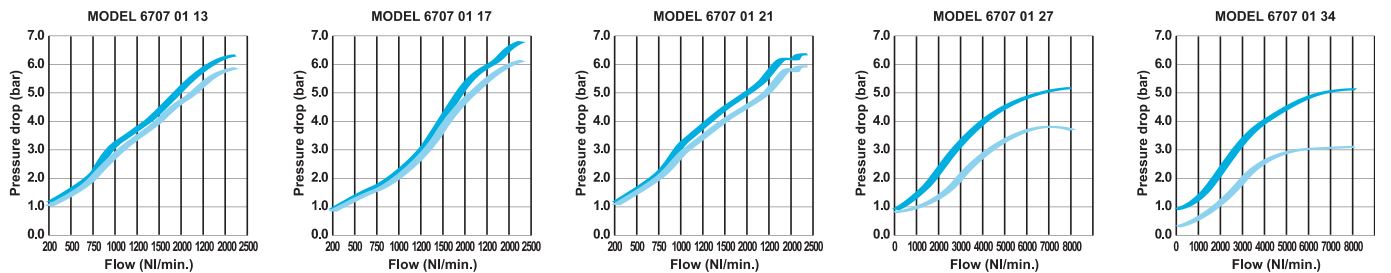
6707 Filter/Regulator – Lubricator 2 units



Specification

| Threaded port (BSPP) | 1/4 | 3/8 | 1/2 | 3/4 | 1" |
|----------------------------|--|-------|-------|-------|-------|
| Maximum flow rate (NI/min) | 2080 | 2100 | 2600 | 7940 | 8200 |
| Filter bowl capacity (cc) | 105 | 105 | 105 | 210 | 210 |
| Lubricator oil | ISO – VG32 recommended (or equivalent) | | | | |
| Weight (kg) | 1,480 | 1,480 | 1,480 | 2,150 | 2,150 |

Flow charts



| Port | Drain | Filter Micron | | |
|------|-----------|---------------|--|---------------------|
| 1/4 | Manual | 5μ | | 6707 01 13 Standard |
| 1/4 | Manual | 40μ | | 6707 41 13 Option |
| 1/4 | Semi Auto | 5μ | | 6707 03 13 Option |
| 1/4 | Semi Auto | 40μ | | 6707 43 13 Option |
| 3/8 | Manual | 5μ | | 6707 01 17 Standard |
| 3/8 | Manual | 40μ | | 6707 41 17 Option |
| 3/8 | Semi Auto | 5μ | | 6707 03 17 Option |
| 3/8 | Semi Auto | 40μ | | 6707 43 17 Option |
| 1/2 | Manual | 5μ | | 6707 01 21 Standard |
| 1/2 | Manual | 40μ | | 6707 41 21 Option |
| 1/2 | Semi Auto | 5μ | | 6707 03 21 Option |
| 1/2 | Semi Auto | 40μ | | 6707 43 21 Option |

| Port | Drain | Filter Micron | | |
|------|-----------|---------------|--|---------------------|
| 3/4 | Manual | 5μ | | 6707 01 27 Standard |
| 3/4 | Manual | 40μ | | 6707 41 27 Option |
| 3/4 | Semi Auto | 5μ | | 6707 03 27 Option |
| 3/4 | Semi Auto | 40μ | | 6707 43 27 Option |
| 1" | Manual | 5μ | | 6707 01 34 Standard |
| 1" | Manual | 40μ | | 6707 41 34 Option |
| 1" | Semi Auto | 5μ | | 6707 03 34 Option |
| 1" | Semi Auto | 40μ | | 6707 43 34 Option |

Also available on request: threaded ports 1" 1/2 and 2"

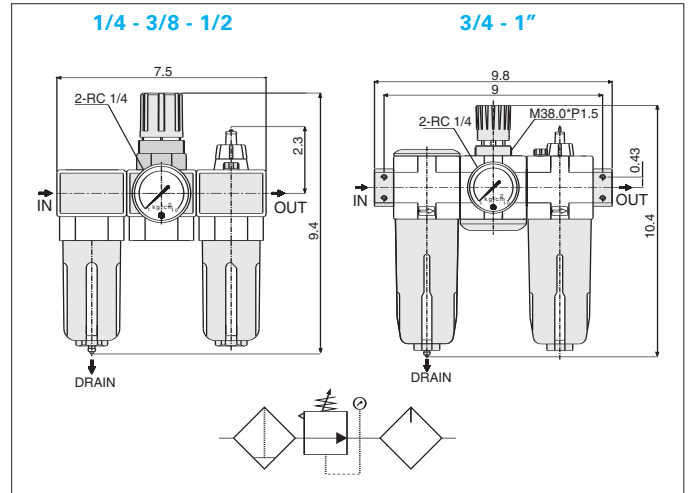
Ready to be mounted

The products are delivered with following accessories:

- 1 gauge
- 1 bracket (sizes 1/4, 3/8, 1/2) or 2 brackets (sizes 3/4, 1").
- 4 screws
- 1 plug



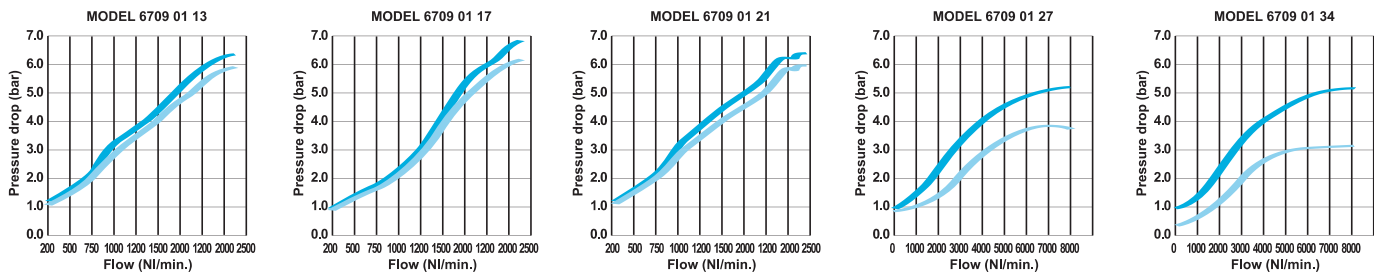
6709 Filter – Regulator – Lubricator 3 units



Specification

| Threaded port (BSPP) | 1/4 | 3/8 | 1/2 | 3/4 | 1" |
|-------------------------------|--|-------|-------|-------|-------|
| Maximum flow rate (NI/min) | 2080 | 2100 | 2600 | 7940 | 8200 |
| Filter bowl capacity (cc) | 105 | 105 | 105 | 210 | 210 |
| Lubricator bowl capacity (cc) | 125 | 125 | 125 | 235 | 235 |
| Lubricator oil | ISO – VG32 recommended (or equivalent) | | | | |
| Weight (kg) | 1,800 | 1,800 | 1,800 | 2,650 | 2,650 |

Flow charts



| Port | Drain | Filter Micron | | |
|------|-----------|---------------|----------------------------|----------|
| 1/4 | Manual | 5μ | 6709 01 13 | Standard |
| 1/4 | Manual | 40μ | 6709 41 13 | Option |
| 1/4 | Semi Auto | 5μ | 6709 03 13 | Option |
| 1/4 | Semi Auto | 40μ | 6709 43 13 | Option |
| 3/8 | Manual | 5μ | 6709 01 17 | Standard |
| 3/8 | Manual | 40μ | 6709 41 17 | Option |
| 3/8 | Semi Auto | 5μ | 6709 03 17 | Option |
| 3/8 | Semi Auto | 40μ | 6709 43 17 | Option |
| 1/2 | Manual | 5μ | 6709 01 21 | Standard |
| 1/2 | Manual | 40μ | 6709 41 21 | Option |
| 1/2 | Semi Auto | 5μ | 6709 03 21 | Option |
| 1/2 | Semi Auto | 40μ | 6709 43 21 | Option |

| Port | Drain | Filter Micron | | |
|------|-----------|---------------|----------------------------|----------|
| 3/4 | Manual | 5μ | 6709 01 27 | Standard |
| 3/4 | Manual | 40μ | 6709 41 27 | Option |
| 3/4 | Semi Auto | 5μ | 6709 03 27 | Option |
| 3/4 | Semi Auto | 40μ | 6709 43 27 | Option |
| 1" | Manual | 5μ | 6709 01 34 | Standard |
| 1" | Manual | 40μ | 6709 41 34 | Option |
| 1" | Semi Auto | 5μ | 6709 03 34 | Option |
| 1" | Semi Auto | 40μ | 6709 43 34 | Option |

Also available on request: threaded ports 1" 1/2 and 2"

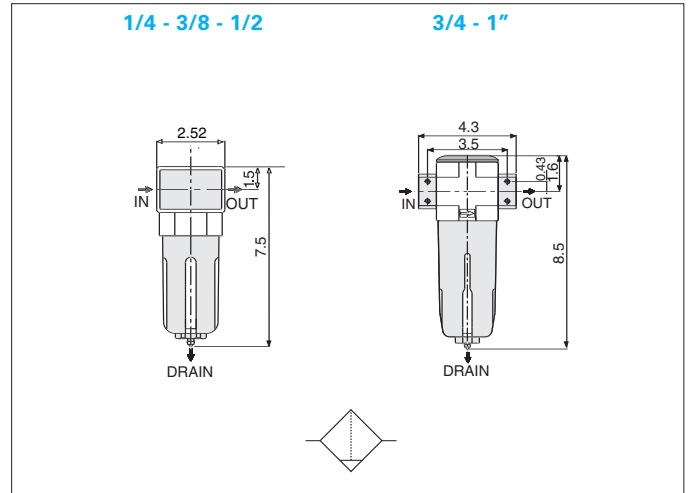
Ready to be mounted

The products are delivered with following accessories:

- 1 gauge
- 1 bracket (sizes 1/4, 3/8, 1/2) or 2 brackets (sizes 3/4, 1").
- 4 screws
- 1 plug



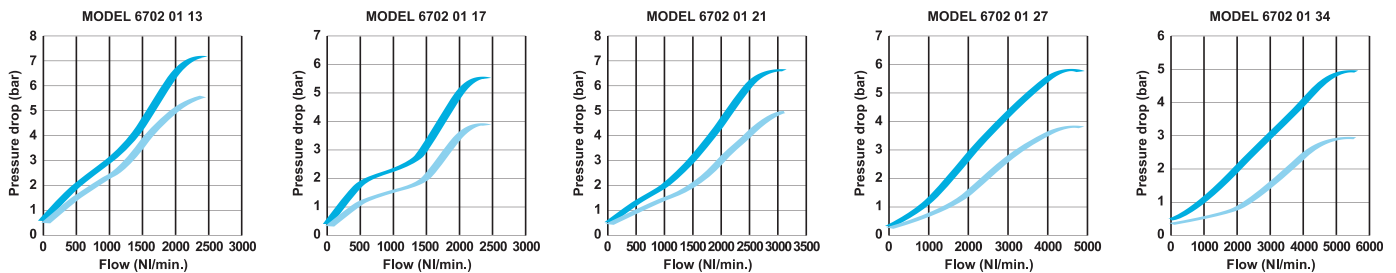
6702 Filter



Specification

| Threaded port (BSPP) | 1/4 | 3/8 | 1/2 | 3/4 | 1" |
|----------------------------|-------|-------|-------|-------|-------|
| Maximum flow rate (NI/min) | 2440 | 2450 | 3030 | 8250 | 8860 |
| Filter bowl capacity (cc) | 105 | 105 | 105 | 210 | 210 |
| Weight (kg) | 0,530 | 0,530 | 0,530 | 1,250 | 1,250 |

Flow charts



| Port | Drain | Filter Micron | | |
|------|-----------|---------------|----------------------------|----------|
| 1/4 | Manual | 5μ | 6702 01 13 | Standard |
| 1/4 | Manual | 40μ | 6702 41 13 | Option |
| 1/4 | Semi Auto | 5μ | 6702 03 13 | Option |
| 1/4 | Semi Auto | 40μ | 6702 43 13 | Option |
| 3/8 | Manual | 5μ | 6702 01 17 | Standard |
| 3/8 | Manual | 40μ | 6702 41 17 | Option |
| 3/8 | Semi Auto | 5μ | 6702 03 17 | Option |
| 3/8 | Semi Auto | 40μ | 6702 43 17 | Option |
| 1/2 | Manual | 5μ | 6702 01 21 | Standard |
| 1/2 | Manual | 40μ | 6702 41 21 | Option |
| 1/2 | Semi Auto | 5μ | 6702 03 21 | Option |
| 1/2 | Semi Auto | 40μ | 6702 43 21 | Option |

| Port | Drain | Filter Micron | | |
|------|-----------|---------------|----------------------------|----------|
| 3/4 | Manual | 5μ | 6702 01 27 | Standard |
| 3/4 | Manual | 40μ | 6702 41 27 | Option |
| 3/4 | Semi Auto | 5μ | 6702 03 27 | Option |
| 3/4 | Semi Auto | 40μ | 6702 43 27 | Option |
| 1" | Manual | 5μ | 6702 01 34 | Standard |
| 1" | Manual | 40μ | 6702 41 34 | Option |
| 1" | Semi Auto | 5μ | 6702 03 34 | Option |
| 1" | Semi Auto | 40μ | 6702 43 34 | Option |

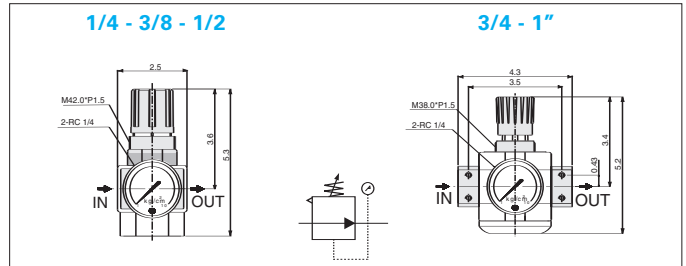
Also available on request: threaded ports 1" 1/2 and 2"

Ready to be mounted
The products are delivered with following accessories:

- 1 bracket (sizes 1/4, 3/8, 1/2) or 2 brackets (sizes 3/4, 1")
- 4 screws
- 1 plug

Legris filters
In the **standard manual version**, you can purge the filter by pressing the drain by hand.
In the **optional semi-automatic version**, the drainage happens automatically when there is no pressure or when you press the drain by hand.

6701 Regulator

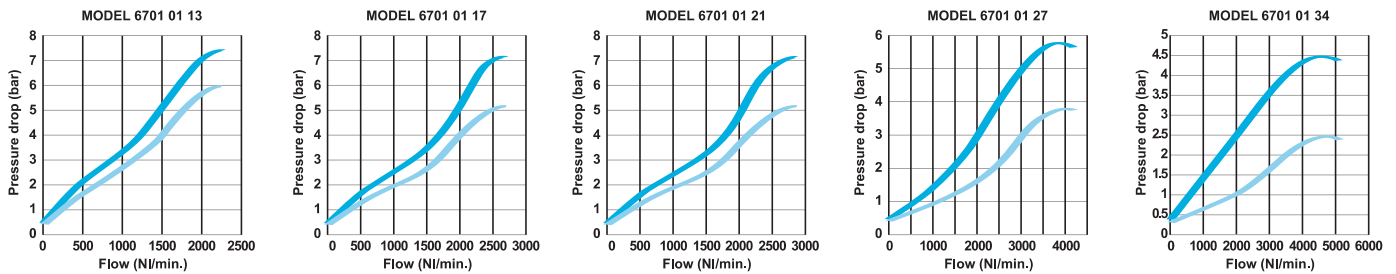


Specification

| Threaded port (BSPP) | 1/4 | 3/8 | 1/2 | 3/4 | 1" |
|---|------|------|------|------|------|
| Maximum flow rate (NI/min) | 2100 | 2130 | 2750 | 8000 | 8500 |
| construction : piston type regulator | | | | | |

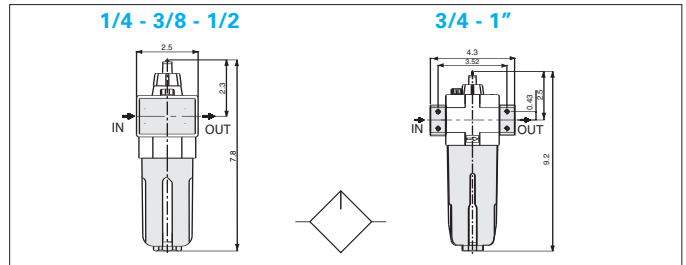
| threaded port | Weight (kg) |
|---------------|-------------|
| 1/4 | 0,740 |
| 3/8 | 0,740 |
| 1/2 | 0,740 |
| 3/4 | 1,100 |
| 1" | 1,100 |

Flow charts



The products are delivered with following accessories: 1 gauge + 1 bracket (sizes 1/4, 3/8, 1/2) or 2 brackets (sizes 3/4, 1") + 4 screws + 1 plug.

6703 Lubricator



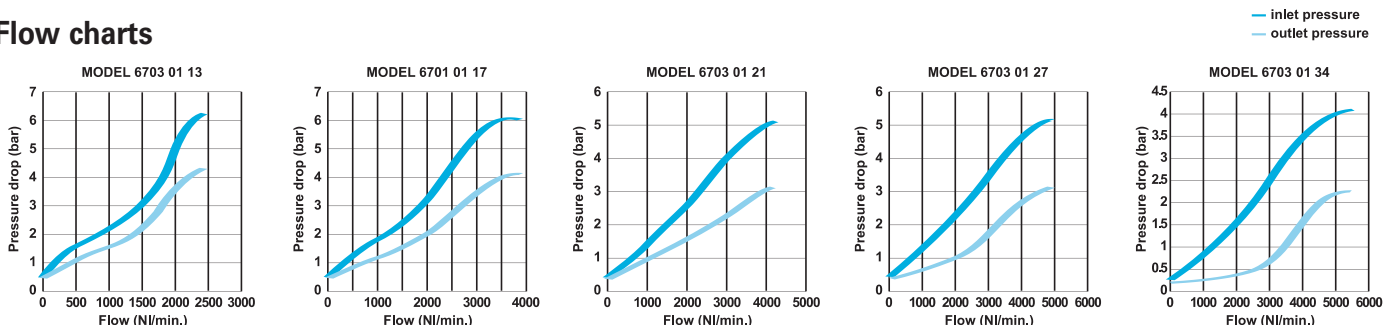
Specification

| Threaded port (BSPP) | 1/4 | 3/8 | 1/2 | 3/4 | 1" |
|-------------------------------|--|------|------|------|------|
| Maximum flow rate (NI/min) | 2490 | 2525 | 4310 | 8400 | 9000 |
| Lubricator bowl capacity (cc) | 125 | 125 | 125 | 235 | 235 |
| Lubricator oil | ISO - VG32 recommended (or equivalent) | | | | |

| threaded port | Weight (kg) |
|---------------|-------------|
| 1/4 | 0,500 |
| 3/8 | 0,500 |
| 1/2 | 0,500 |
| 3/4 | 1,095 |
| 1" | 1,095 |

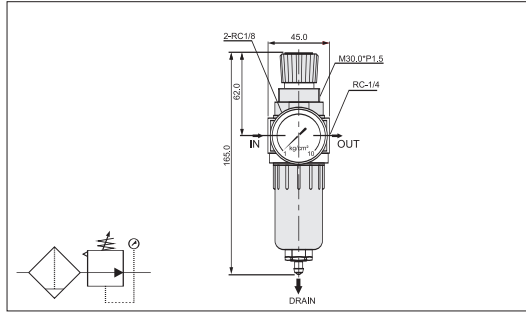
Lubricator oil can be refilled without the need to shut down the compressed air system.

Flow charts

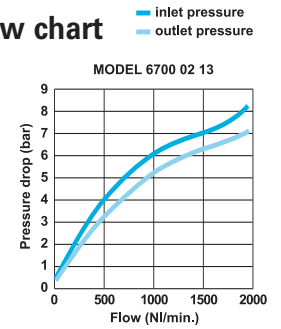


The products are delivered with following accessories: 1 bracket (sizes 1/4, 3/8, 1/2) or 2 brackets (sizes 3/4, 1") + 4 screws + 1 plug.

6700 Filter / Regulator 1 unit



Flow chart



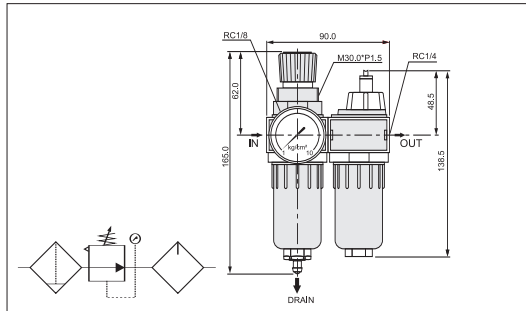
Specification

| | |
|----------------------------|-------|
| Maximum flow rate (NI/min) | 1940 |
| Filter bowl capacity (cc) | 35 |
| Weight (kg) | 0,370 |

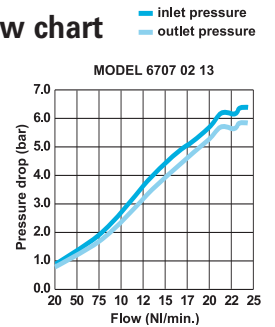
| Port | Drain | Filter Micron | | |
|------|-----------|---------------|------------|----------|
| 1/4 | Manual | 5μ | 6700 02 13 | Standard |
| 1/4 | Manual | 40μ | 6700 42 13 | Option |
| 1/4 | Semi Auto | 5μ | 6700 04 13 | Option |
| 1/4 | Semi Auto | 40μ | 6700 44 13 | Option |

The products are delivered with following accessories: 1 gauge + 1 bracket + 4 screws + 1 plug.

6707 Filter / Regulator - Lubricator 2 units



Flow chart



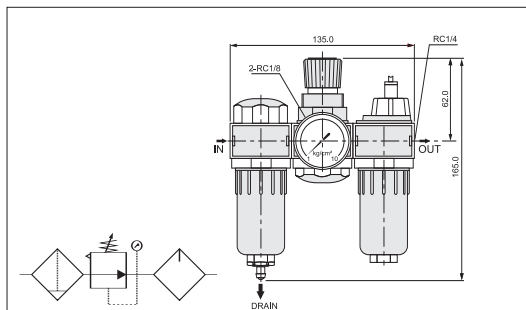
Specification

| | |
|-------------------------------|-------|
| Maximum flow rate (NI/min) | 1850 |
| Filter bowl capacity (cc) | 35 |
| Lubricator bowl capacity (cc) | 50 |
| Weight (kg) | 0,560 |

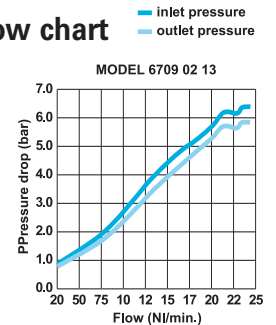
| Port | Drain | Filter Micron | | |
|------|-----------|---------------|------------|----------|
| 1/4 | Manual | 5μ | 6707 02 13 | Standard |
| 1/4 | Manual | 40μ | 6707 42 13 | Option |
| 1/4 | Semi Auto | 5μ | 6707 04 13 | Option |
| 1/4 | Semi Auto | 40μ | 6707 44 13 | Option |

The products are delivered with following accessories: 1 gauge + 1 bracket + 4 screws + 1 plug.

6709 Filter - Regulator - Lubricator 3 units



Flow chart



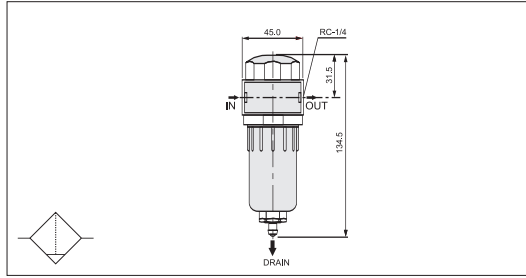
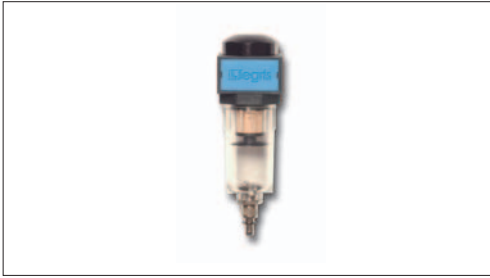
Specification

| | |
|-------------------------------|-------|
| Maximum flow rate (NI/min) | 1850 |
| Filter bowl capacity (cc) | 35 |
| Lubricator bowl capacity (cc) | 50 |
| Weight (kg) | 0,810 |

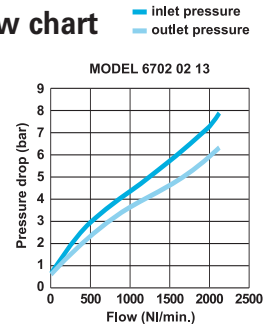
| Port | Drain | Filter Micron | | |
|------|-----------|---------------|------------|----------|
| 1/4 | Manual | 5μ | 6709 02 13 | Standard |
| 1/4 | Manual | 40μ | 6709 42 13 | Option |
| 1/4 | Semi Auto | 5μ | 6709 04 13 | Option |
| 1/4 | Semi Auto | 40μ | 6709 44 13 | Option |

The products are delivered with following accessories: 1 gauge + 1 bracket + 4 screws + 1 plug.

6702 Filter



Flow chart



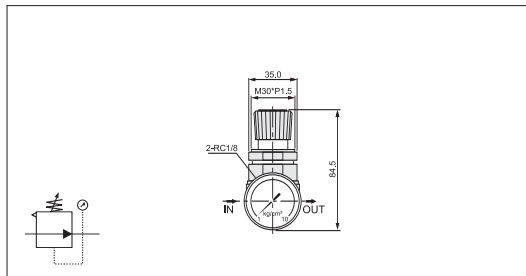
Specification

| | |
|----------------------------|-------|
| Maximum flow rate (NI/min) | 2036 |
| Filter bowl capacity (cc) | 35 |
| Weight (kg) | 0,245 |

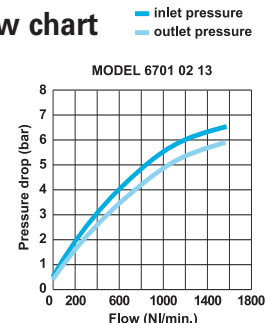
| Port | Drain | Filter Micron | Part Number | Option |
|------|-----------|---------------|-------------|----------|
| 1/4 | Manual | 5μ | 6702 02 13 | Standard |
| 1/4 | Manual | 40μ | 6702 42 13 | Option |
| 1/4 | Semi Auto | 5μ | 6702 04 13 | Option |
| 1/4 | Semi Auto | 40μ | 6702 44 13 | Option |

The products are delivered with following accessories: 1 bracket + 4 screws + 1 plug.

6701 Regulator



Flow chart



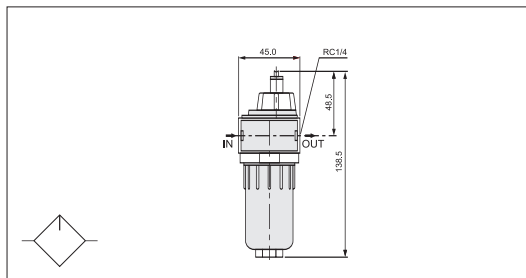
Specification

| | |
|----------------------------|-------|
| Maximum flow rate (NI/min) | 1546 |
| Weight (kg) | 0,205 |

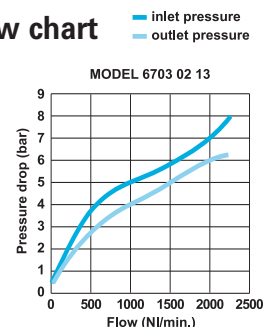
| Port | Part Number |
|------|-------------|
| 1/4 | 6701 02 13 |

The products are delivered with following accessories: 1 gauge + 1 bracket + 4 screws + 1 plug.

6703 Lubricator



Flow chart



Specification

| | |
|-------------------------------|--|
| Maximum flow rate (NI/min) | 2449 |
| Lubricator bowl capacity (cc) | 50 |
| Lubricator oil | ISO – VG32 recommended (or equivalent) |
| Weight (kg) | 0,165 |

| Port | Part Number |
|------|-------------|
| 1/4 | 6703 02 13 |

The products are delivered with following accessories: 1 bracket + 4 screws + 1 plug.

Legris Lubricators
The mist type lubrication ensures that pneumatic devices receive the required lubrication to maintain operating **performance**, reduce wear and **prolong service life**.

Series mini:
You can convert 1/4 BSPP port into a 1/8 BSPP port by using the Legris reducer 0903 10 13, for each port. (Flow rate values may be affected by max. 10%).



6799 Filter and Lubricator bowls



| for threaded port | | polycarbonate bowls | aluminium bowls |
|-------------------|----------------------|----------------------------|----------------------------|
| 1/4, 3/8, 1/2 | lubricator, standard | 6799 06 01 | 6799 08 01 |
| 3/4, 1" | lubricator, standard | 6799 06 02 | |
| 1/4 | lubricator, mini | 6799 06 03 | |
| 1/4, 3/8, 1/2 | filter, standard | 6799 07 01 | 6799 08 02 |
| 3/4, 1/2 | filter, standard | 6799 07 02 | |
| 1/4 | filter, mini | 6799 07 03 | |

included: 1 O-ring

Anti-acid and alkali bowls are also available as spare parts (for standard series only). Please consult us.

6799 Sintered bronze filter elements



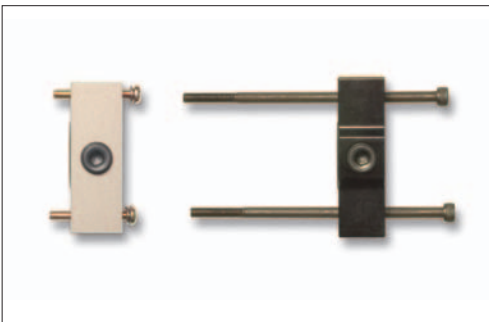
| for threaded port | filter series | filter element | diameter (mm) | |
|-------------------|---------------|----------------|---------------|----------------------------|
| 1/4, 3/8, 1/2 | standard | 5μ | 28 | 6799 05 02 |
| 1/4, 3/8, 1/2 | standard | 40μ | 28 | 6799 45 02 |
| 3/4, 1" | standard | 5μ | | 6799 05 03 |
| 3/4, 1" | standard | 40μ | | 6799 45 03 |
| 1/4 | mini | 5μ | | 6799 05 04 |
| 1/4 | mini | 40μ | | 6799 45 04 |

6798 Pressure gauges



| for threaded port | regulator series | diameter (mm) | |
|-------------------|------------------|---------------|----------------------------|
| 1/8 | mini | 42 | 6798 01 10 |
| 1/4 | standard | 53 | 6798 01 13 |

6799 Spacer blocks



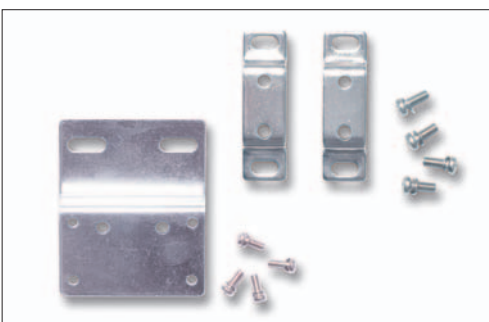
| for threaded port | | |
|-------------------|--|----------------------------|
| 1/4, 3/8, 1/2 | | 6799 04 01 |
| 3/4, 1" | | 6799 04 02 |

included: 1 O-ring, 2 screws with washer and 1 plug.

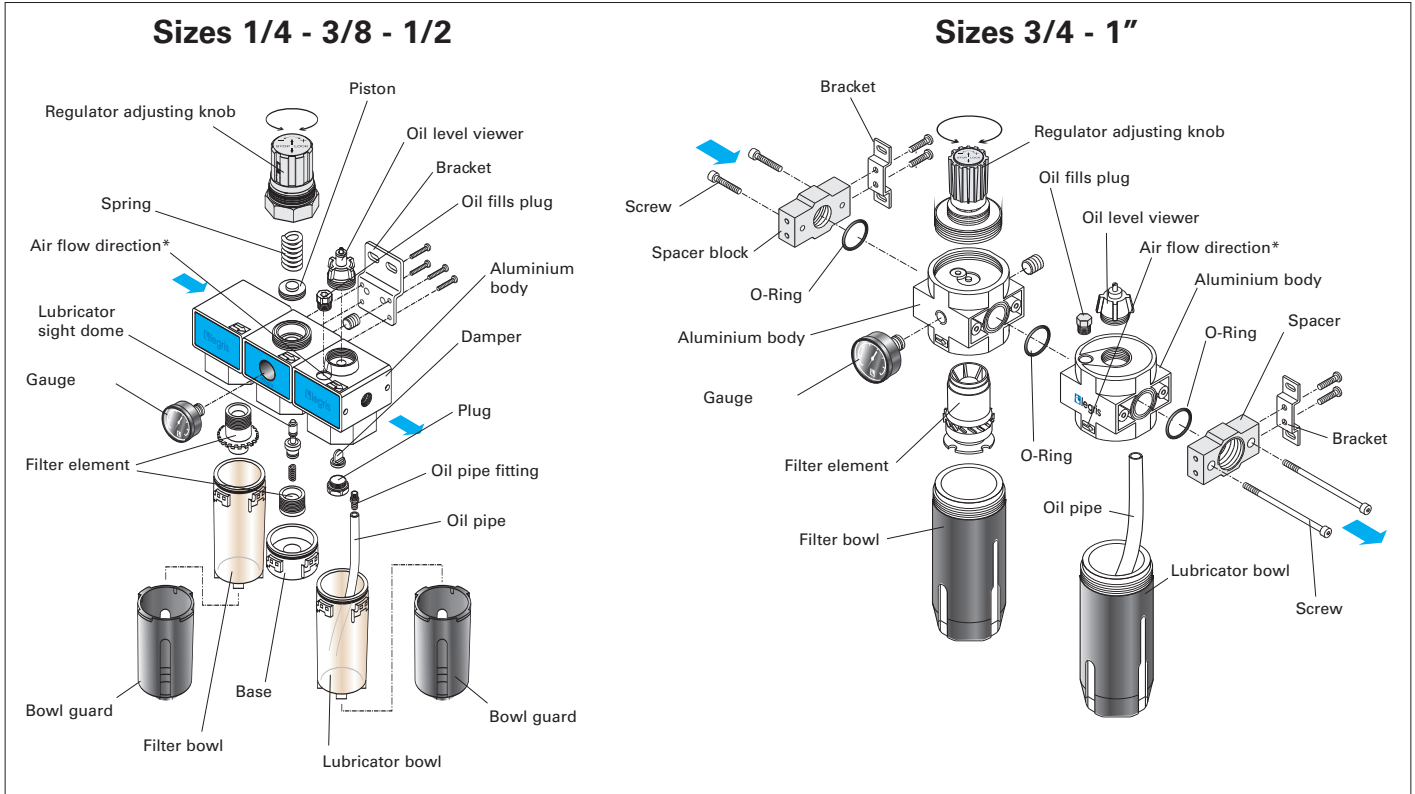
2 applications in one

A spacer block enables to divert air from the F/R before it is going through the lubricator. Therefore the same FRL can have 2 outputs: one with air unlubricated, the other with lubricated air.

6798 Mounting brackets



| for port size | | |
|---------------|-----------------------|----------------------------|
| 1/4, 3/8, 1/2 | 1 bracket + 4 screws | 6798 08 01 |
| 3/4, 1" | 2 brackets + 4 screws | 6798 08 02 |



* for mini series, air flow direction is beside the female thread (in-out).

Air service units

How to use

Operation of sleeve valve

By moving the sleeve in one direction, the air is free to pass through the sleeve valve to the system. By moving it in the opposite direction, the supply is shut off and downstream air vents to the atmosphere.

1

Regulator adjusting knob

Pull knob to adjust air pressure. Turn clockwise to increase pressure. Turn counter-clockwise to decrease pressure. Push to lock.

2

Lubricator sight dome oil adjustment

To decrease oil feed rate, turn adjustment screw clockwise and, to increase oil feed rate, turn the adjustment screw counter-clockwise.

4

3

Manual drain

Contaminants collected in the bowl can be drained using the manual drain. If pressure drop through the filter becomes excessive, empty filter bowls and clean or replace the filter element to assure high performance.

3

Oil fill plug

Can be filled without shutting down air line. Screwdriver oil adjustment dome prevents unauthorized adjustment of oil delivery. Oil volume can be adjusted based on the air flow.

5

Bowl guard with integral plastic guard

Bayonet mount with lock for quick easy attachment and removal. Designed to insure durability in the harshest environment.

6



Whatever the industrial fluid required for your installation,
whatever the pressure connect up with Legris.
The extensive Legris Connectic range is ideal for many **low
and high pressure** applications throughout industry.

Our low and high pressure **catalogues**
are available upon request.

legris